

# Thomas 133 'S' Series

Publication No. 39997-2  
Serial Numbers LE006075  
To LE008499

# Parts Manual

## THOMAS EQUIPMENT LIABILITY WARRANTY

**THE WARRANTY IS THE ONLY OBLIGATION OF THOMAS OR A THOMAS DEALER TO THE PURCHASER OR ANYONE ELSE CONCERNING A PRODUCT, ITS SERVICE, ITS USE OR PERFORMANCE OR ITS LOSS OF USE OR FAILURE TO PERFORM. NEITHER THOMAS NOR A THOMAS DEALER HAVE MADE AND NEITHER WILL MAKE ANY OTHER EXPRESSED OR IMPLIED REPRESENTATION, WARRANTY OR AGREEMENT CONCERNING A PRODUCT. NEITHER THOMAS NOR A THOMAS DEALER HAVE MADE OR WILL MAKE ANY REPRESENTATION, WARRANTY OR AGREEMENT CONCERNING A PRODUCTS MERCHANTABILITY OR OTHER QUALITY, ITS SUITABILITY FOR PURCHASER'S PURPOSE (EVEN IF A PURCHASER HAS INFORMED THOMAS OR A THOMAS DEALER OF THAT PURPOSE), ITS DURABILITY, PERFORMANCE OR OTHER CONDITION.**

**EVEN IF THOMAS OR A THOMAS DEALER WAS ADVISED OF THE POSSIBILITY OF SUCH LOSS, NEITHER THOMAS NOR A THOMAS DEALER WILL BE LIABLE TO PURCHASER OR ANYONE ELSE FOR ANY INDIRECT, INCIDENTAL CONSEQUENTIAL, PUNITIVE, ECONOMIC, COMMERCIAL, OR SPECIAL LOSS WHICH IS IN ANY WAY ASSOCIATED WITH A PRODUCT. THIS INCLUDES ANY LOSS OF USE OR NON-PERFORMANCE OF A PRODUCT, ANY REPLACEMENT RENTAL OR ACQUISITION COST, ANY LOSS OF REVENUE OR PROFITS, ANY FAILURE TO REALIZE EXPECTED SAVINGS, ANY INTEREST COSTS, ANY IMPAIRMENT OF OTHER GOODS, ANY INCONVENIENCE OR ANY LIABILITY OF PURCHASER TO ANY OTHER PERSON.**

**PURCHASER MAY NOT ATTEMPT TO ENLARGE ITS RIGHTS UNDER THE WARRANTY BY MAKING A CLAIM FOR INDEMNITY, FOR BREACH OF CONTRACT, FOR BREACH OF COLLATERAL WARRANTY, FOR A TORT (INCLUDING NEGLIGENCE, MISREPRESENTATION OR STRICT LIABILITY) OR BY CLAIMING ANY OTHER CAUSE OF ACTION.**

**THE WARRANTY IS A CONDITION OF SALE OF THE PRODUCT TO PURCHASER AND WILL THEREFORE APPLY EVEN IF PURCHASER ALLEGES THAT THERE IS A TOTAL FAILURE OF THE PRODUCT.**

*N.B. Read and practice your **Thomas** operating and servicing instructions. Failure to do this may void your warranty.*

# INDEX - T133'S'

## MAINFRAME 1.

A-1	Fuel System.....	1.1
A-2	Rear Door and Latch.....	1.2
A-3	Quick-Tach.....	1.3
A-4	Seat, Belt and Shields.....	1.4
A-5	Decals and Wheel Equipment.....	1.4.1
A-6	ROPS Ass'y.....	1.4.2
A-7	Boom Lock.....	1.5
A-8	Pivot Pins.....	1.6

### MAIN FRAME

## CONTROLS 2.

A-9	Control Levers (R.H. Side).....	2.1
A-10	Control Levers (L.H. Side).....	2.1.1
A-11	Foot Pedals.....	2.2
A-12	Throttle.....	2.3
B-1	Restraint Bar and Brake Cable.....	2.4

### CONTROLS

## FINAL DRIVE TRANSMISSION 3.

B-2	Axle Ass'y.....	3.1
B-3	Chain Tightener.....	3.2
B-4	Parking Brake.....	3.3

### FINAL DRIVE TRANSMISSION

## HYDRAULIC SYSTEM 4.

B-5	Oil Reservoir.....	4.1
B-6	Boom Lift Circuit.....	4.2
B-7	Bucket Tilt Circuit.....	4.3
B-8	Auxiliary Hydraulic Circuit.....	4.4
B-9	Auxiliary Gear Pump.....	4.5
B-10	Control Valve.....	4.6
B-11	Hydraulic Oil Cooler and Filter.....	4.7
B-12	Lift Cylinder.....	4.8
C-1	Tilt Cylinder.....	4.8.1

### HYDRAULIC SYSTEM

## HYDROSTATIC DRIVE SYSTEM 5.

C-2	Hydrostatic Drive Circuit (R.H. Side).....	5.1
C-3	Hydrostatic Drive Circuit (L.H. Side).....	5.1.1
C-4	Front Hydrostatic Pump.....	5.2
C-5	Rear Hydrostatic Pump.....	5.2.1
C-6	Torque Motor.....	5.3

### HYDROSTATIC DRIVE SYSTEM

## ELECTRICAL SYSTEM 6.

C-7	Electrical Schematic (ROPS Side).....	6.1
C-8	Electrical Schematic (Engine Side).....	6.2

### ELECTRICAL SYSTEM

## ENGINE EQUIPMENT 7.

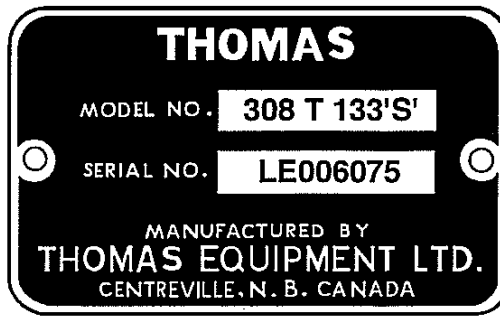
C-9	Exhaust System.....	7.1
C-9	Air Cleaner.....	7.1
C-10	Radiator and Engine Mounts.....	7.2
C-11	Universal Joint.....	7.3

### ENGINE EQUIPMENT

## OPTIONAL EQUIPMENT 8.

C-12	Electric Auxiliary.....	8.1
D-1	Hand Control Lever (R.H. Side).....	8.2
D-2	Hand Control Lever (L.H. Side).....	8.3
D-3	Valve, High Flow.....	8.4
D-4	Back-Up Alarm.....	8.5
D-5	Horn Kit.....	8.6
D-6	Wheel Equipment.....	8.7
D-7	Sound Insulation.....	8.8
D-8	Cab Door.....	8.9
D-9	Strobe Light Kit.....	8.10
D-10	Directional Light Kit.....	8.11
D-11	Cab Heater.....	8.12
D-12	Control Valve Locks.....	8.13

### OPTIONAL EQUIPMENT

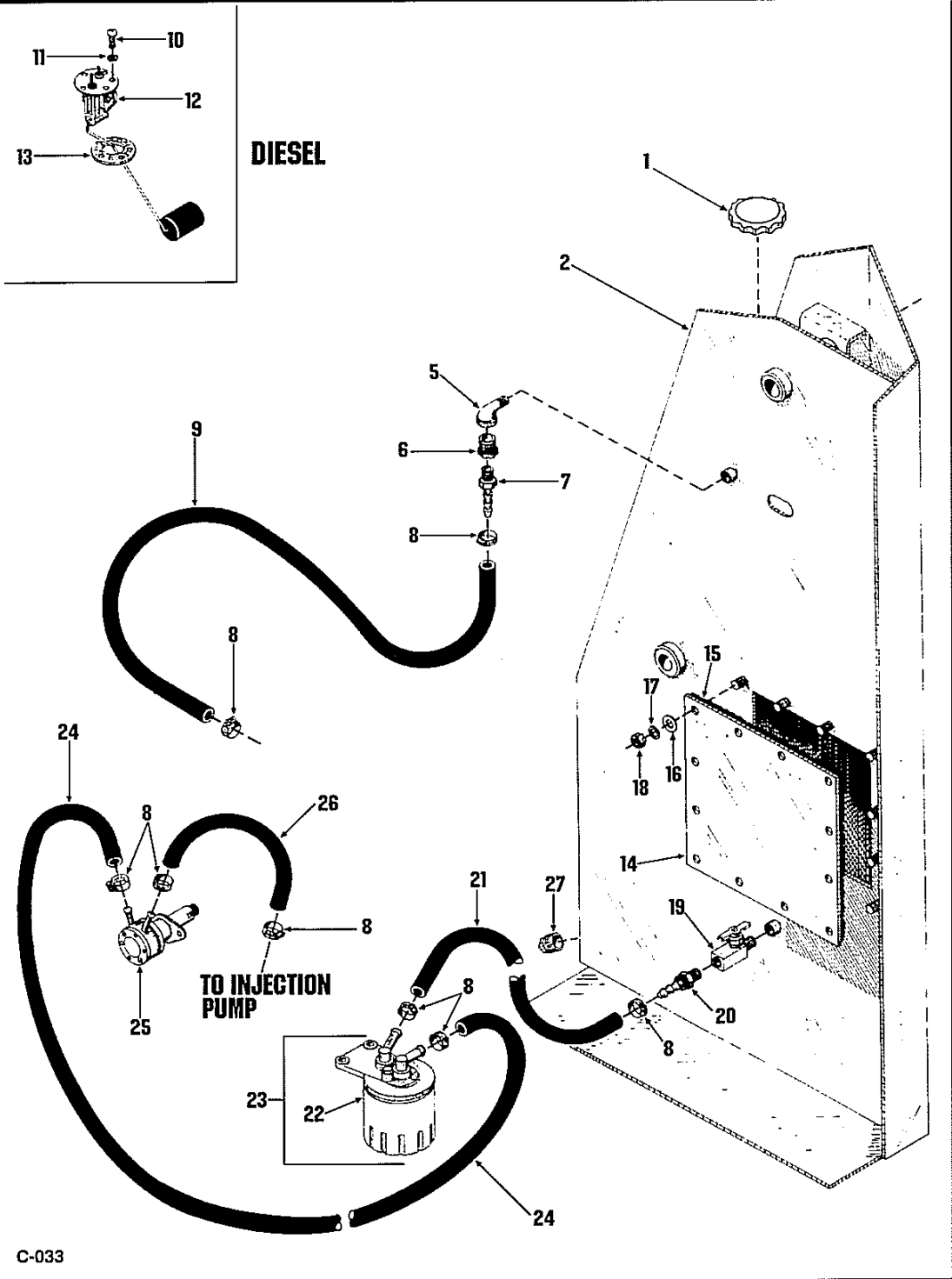


It is important when ordering replacement parts or making a service inquiry to provide both the model number and serial number of your Thomas loader. The serial number plate is located at the rear of the machine on the left hand side. In the event that the serial number plate is missing, the model number and serial number are both stamped into the main frame inside the rear door.

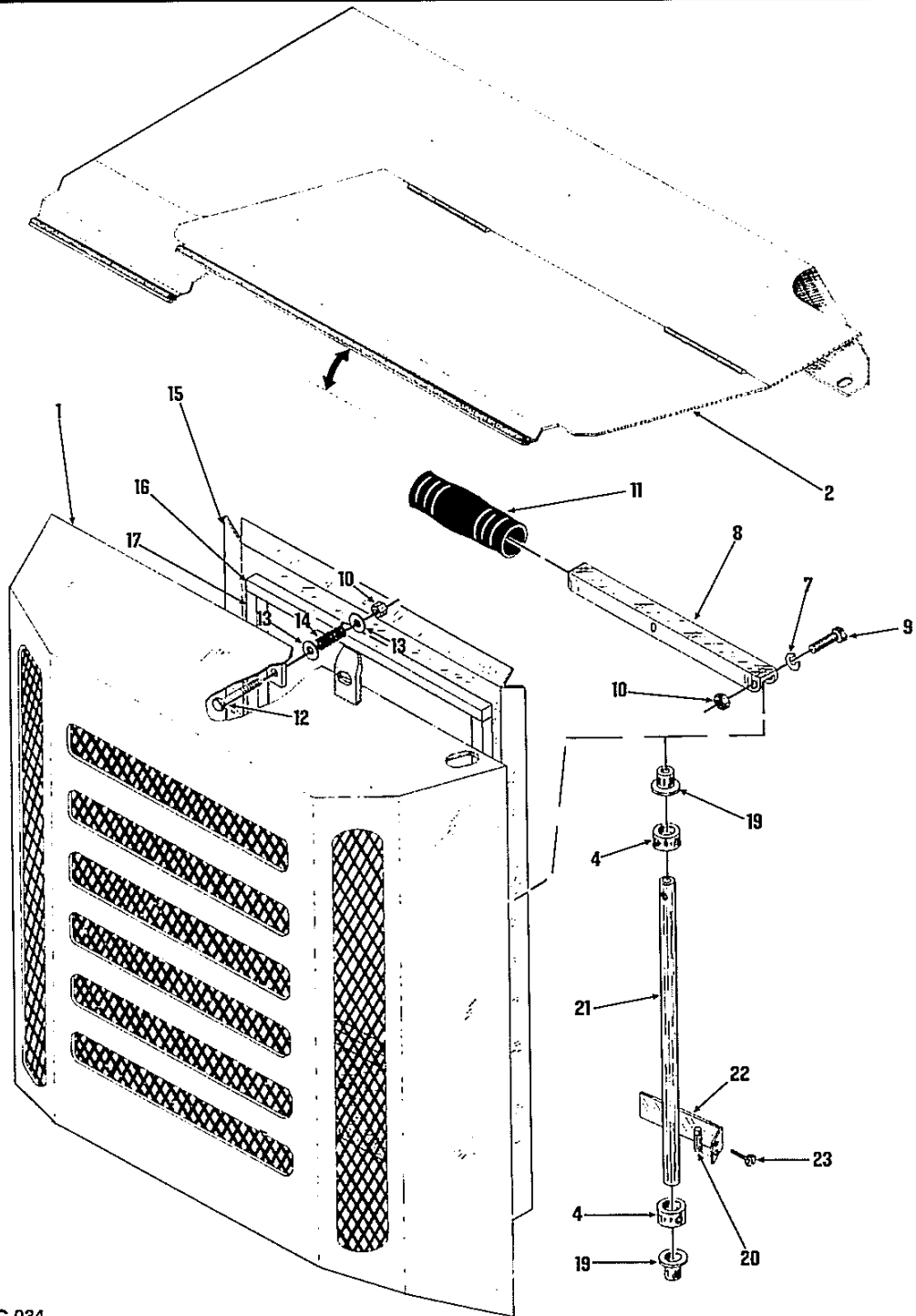
## MAINFRAME 1.

A-1	Fuel System.....	1.1
A-2	Rear Door and Latch.....	1.2
A-3	Quick-Tach.....	1.3
A-4	Seat, Belt and Shields.....	1.4
A-5	Decals and Wheel Equipment.....	1.4.1
A-6	ROPS Ass'y.....	1.4.2
A-7	Boom Lock.....	1.5
A-7	Pivot Pins.....	1.6

**MAIN FRAME**



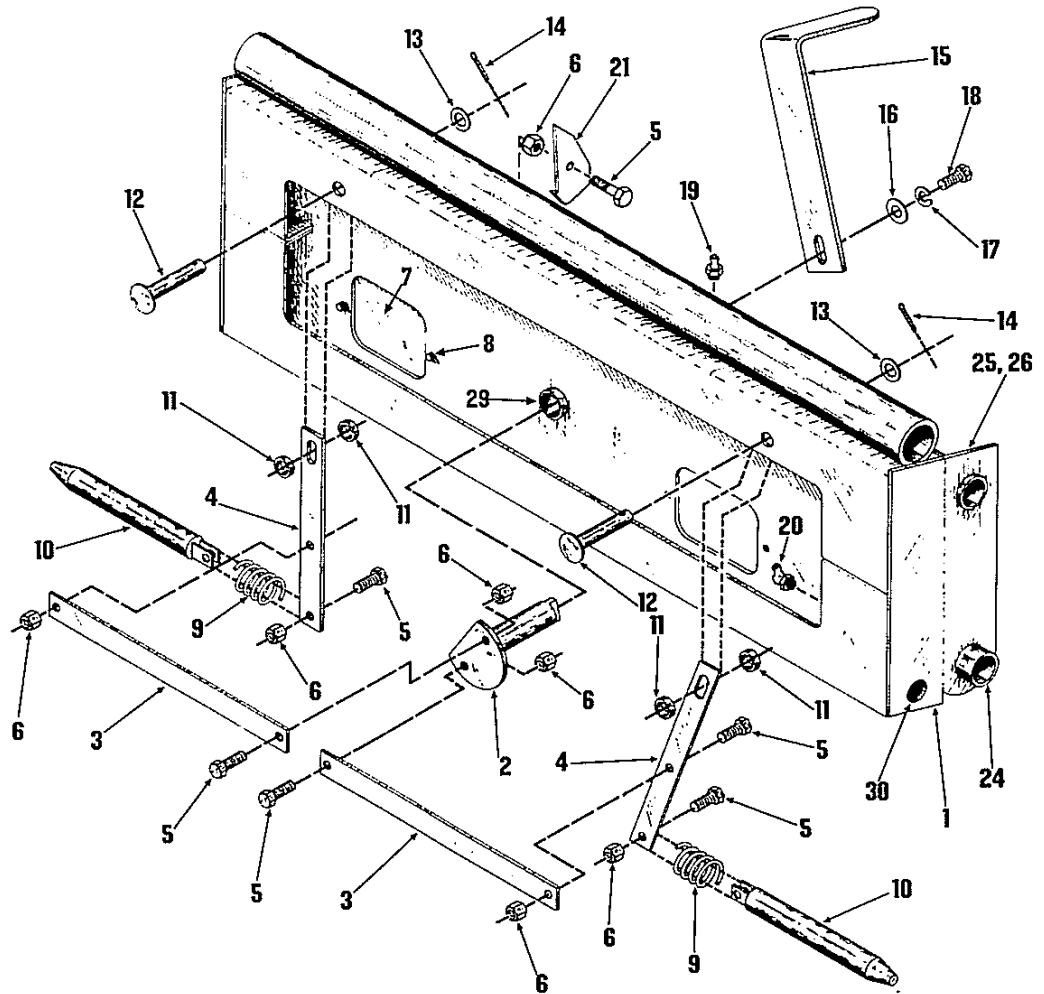




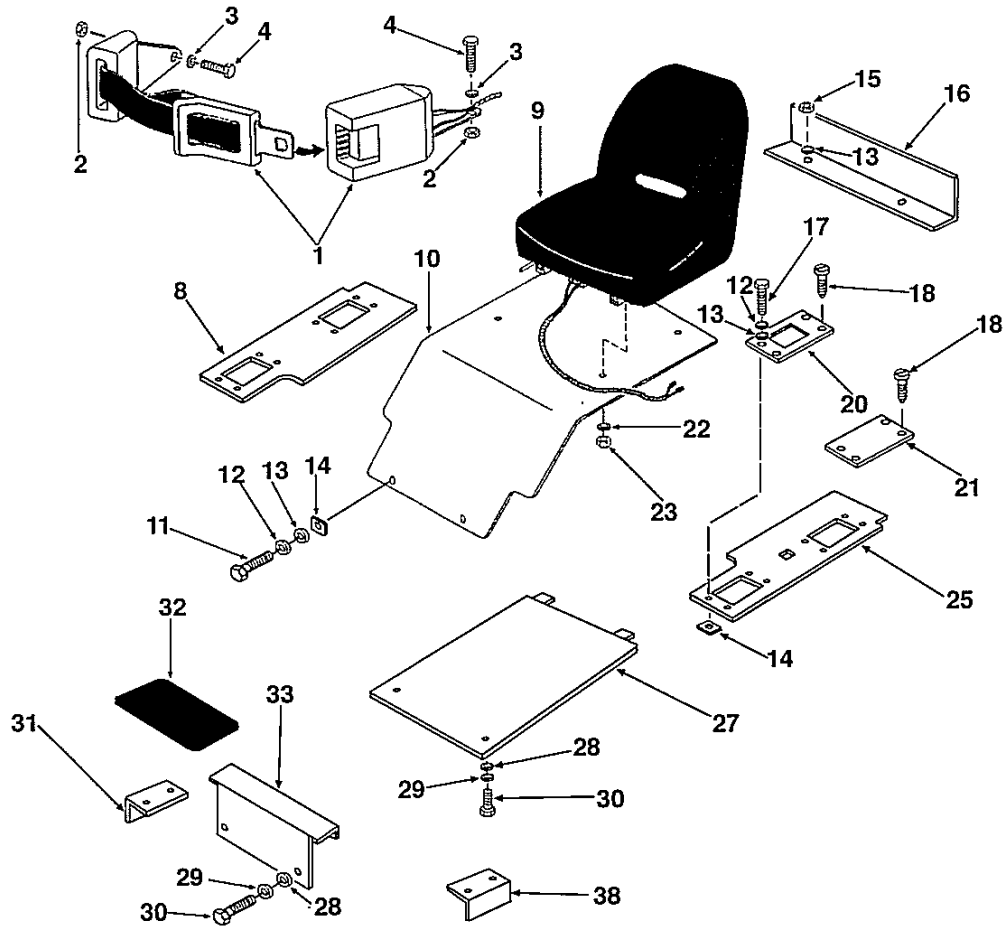
C-034





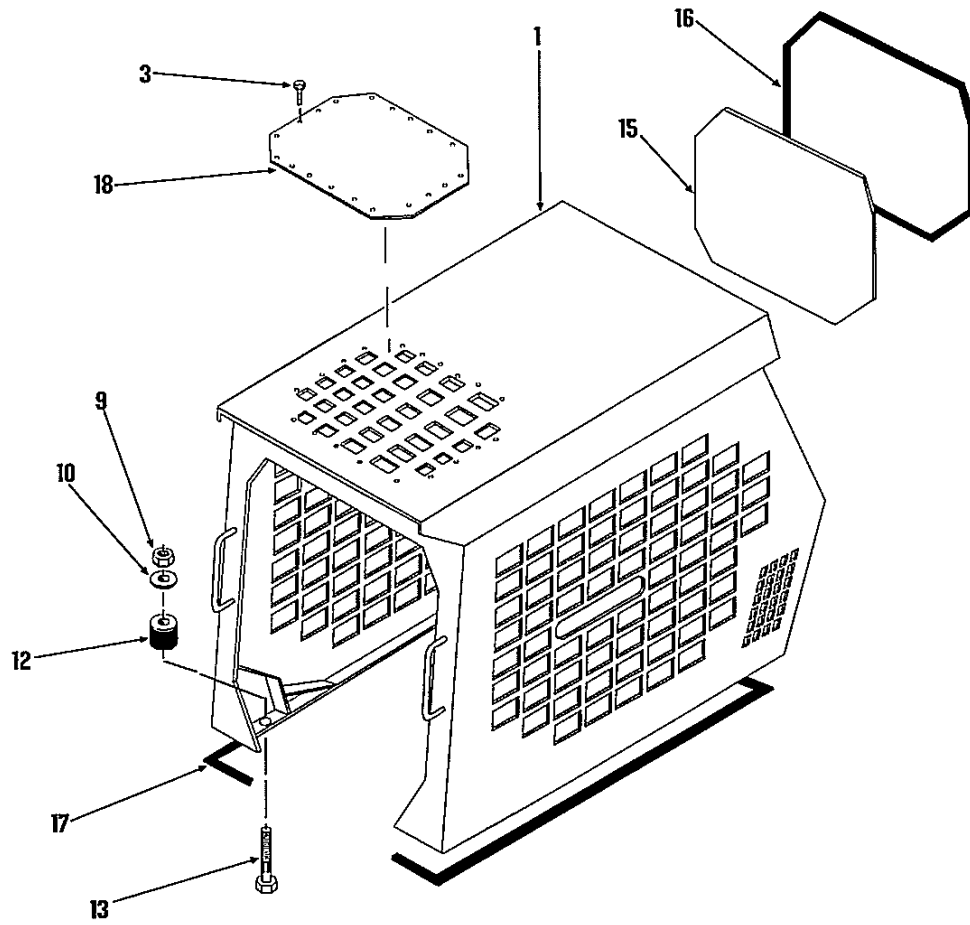






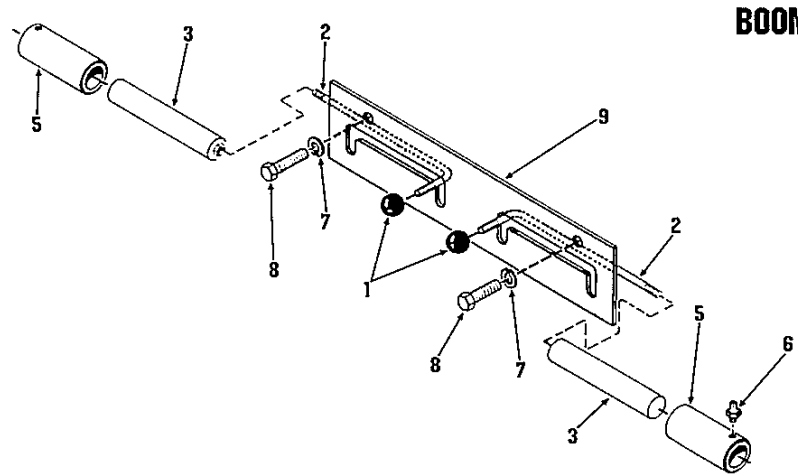












**BOOM LOCK**

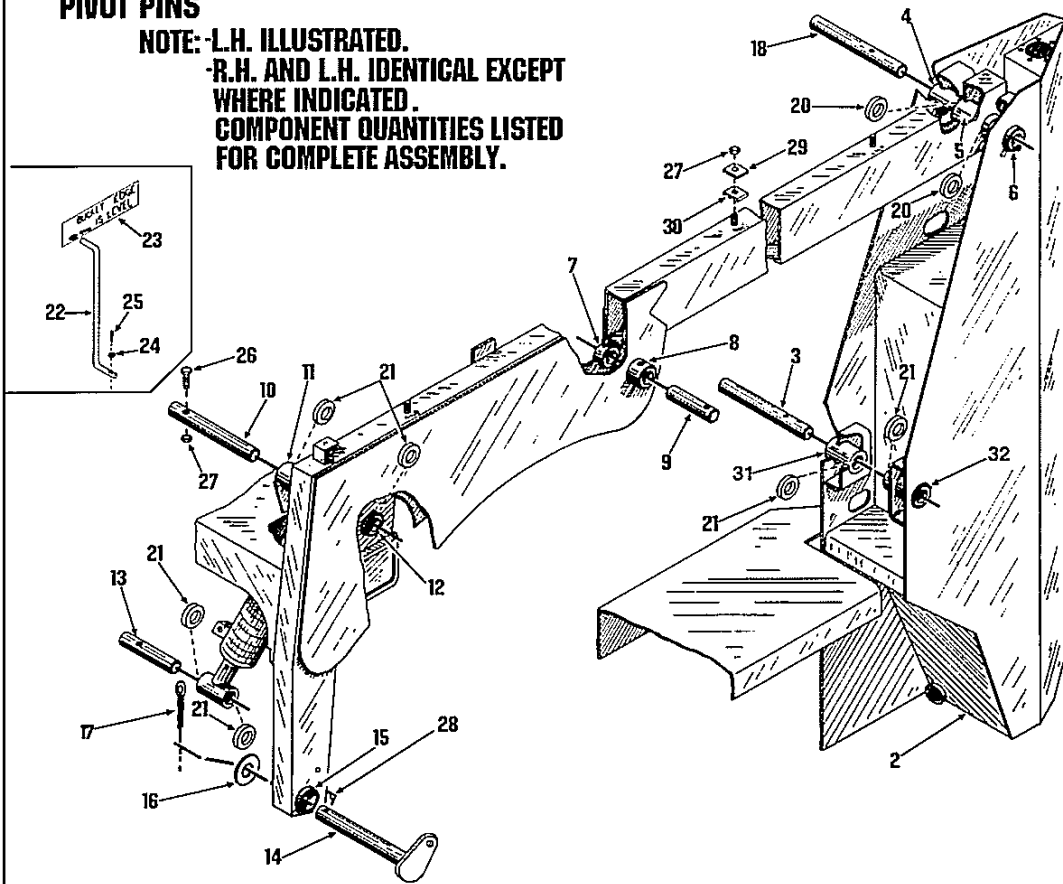
# Boom Lock

1.5

REF. NO.	PART NO.	DESCRIPTION	T133 'S'			SERIAL NO.
1	39546	Knob	2			
2	25530	Locking Pin Arm	2			
3	25532	Lock Pin	2			
*4	1350	Nut 1/4" UNC	2			
5	24129	Lock Bushing	2			
6	2010	Grease Zerk	2			
7	6356	Washer, Lock 5/16"	2			
8	2593	Bolt, 5/16" x 1 1/2" UNC	2			
9	38796	Panel, Lock	1			
*10	1650	Washer, Flat 5/16"	2			
*11	6086	Nut, Captive	2			
* Not illustrated						

### PIVOT PINS

NOTE: -L.H. ILLUSTRATED.  
-R.H. AND L.H. IDENTICAL EXCEPT  
WHERE INDICATED.  
COMPONENT QUANTITIES LISTED  
FOR COMPLETE ASSEMBLY.



# Pivot Pins

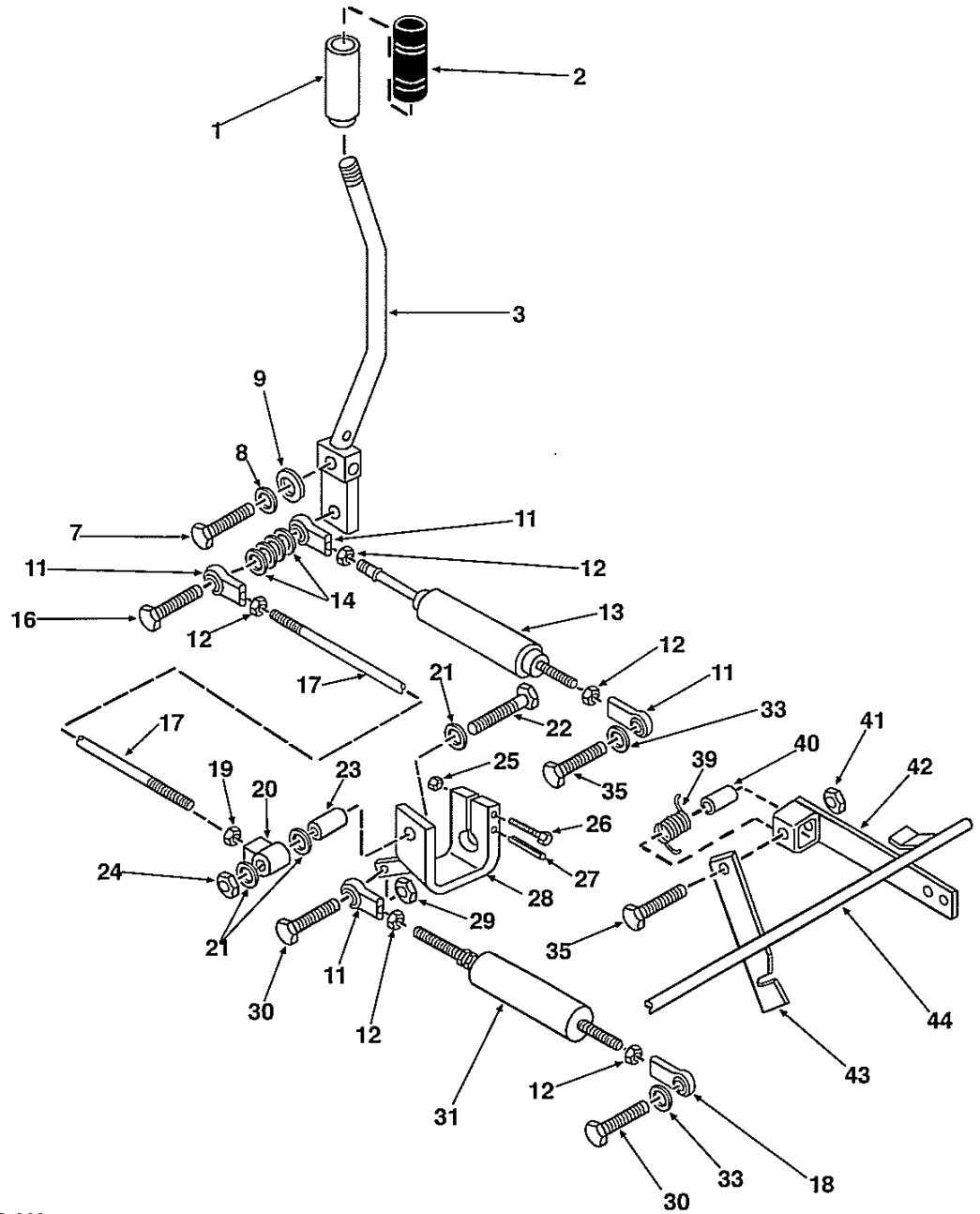
1.6

REF. NO.	PART NO.	DESCRIPTION	T133 'S'	SERIAL NO.
1	959277	Lift Arm Assy.	1	To LE006859
1	961243	Lift Arm Assy	1	LE006860-Onward
2	NSP	Tank Assy. L/H	1	
3	40538	Pin, Lift Arm Hinge	2	To LE006859
3	40998	Pin, Lift Arm Hinge	2	LE006860-Onward
4*	30767	Inner Hinge Bushing	2	To LE006859
4*	40387	Inner Hinge Bushing	2	LE006860-Onward
5*	30737	Pivot Bushing	2	To LE006859
5*	40950	Pivot Bushing	2	LE006860-Onward
6*	30766	Outer Hinge Bushing	2	To LE006859
6*	40389	Outer Hinge Bushing	2	LE006860-Onward
7*	30733	Inside Bushing, Lift Arm	2	To LE006859
7*	40949	Inside Bushing, Lift Arm	2	LE006860-Onward
8*	30732	Outside Bushing, Lift Arm	2	To LE006859
8*	40948	Outside Bushing, Lift Arm	2	LE006860-Onward
9	33525	Lift Arm Hinge Pin	2	To LE006859
9	40999	Lift Arm Hinge Pin	2	LE006860-Onward
10	26479	Long Tilt Pin	2	
11*	30731	Boom Outer Bushing	2	
12*	30724	Inside Tilt Bushing	2	
13	32524	Tilt Pin	2	
14	958006	Q/T Pin Assy.	2	To LE006859
14	961253	Q/T Pin Assy.	2	LE006860-Onward
15	30723	Front Bushing	2	To LE006859
15	40947	Front Bushing	2	LE006860-Onward
16	32501	Washer 1 1/8"	2	
17	30235	Cotter Pin 3/8 x 1 1/2	2	
18	26101	Lift Arm Hinge Pin	2	To LE006859
18	40997	Lift Arm Hinge Pin	2	LE006860-Onward
20	32615	Neopreme Washer 1 1/2"	2	To LE006859
20	32614	Neopreme Washer	2	To LE006859
21	32616	Neopreme Washer 1"	2	To LE006859
21	32615	Neopreme Washer	4	LE006860-Onward
22	32323	Bucket Level Indicator	1	
23	32328	Decal, Bucket Level Indicator	1	
24	1643	Washer, Flat 3/8"	1	
25	1546	Pin, Cotter 1" x 1/8"	1	
26	1677	Bolt	5	
27	16771	Nut, 5/16 Nyloc	11	
28	34816	Boom Stop	2	
29	38472	Locking Plate	6	
30	38302	Clamp	6	
31*	30767	Inner Hinge Bushing	2	To LE006859
31*	40386	Inner Hinge Bushing	2	LE006860-Onward
32*	30766	Outer Hinge Bushing	2	To LE006859
32*	40388	Outer Hinge Bushing	2	LE006860-Onward
*welded on parts				

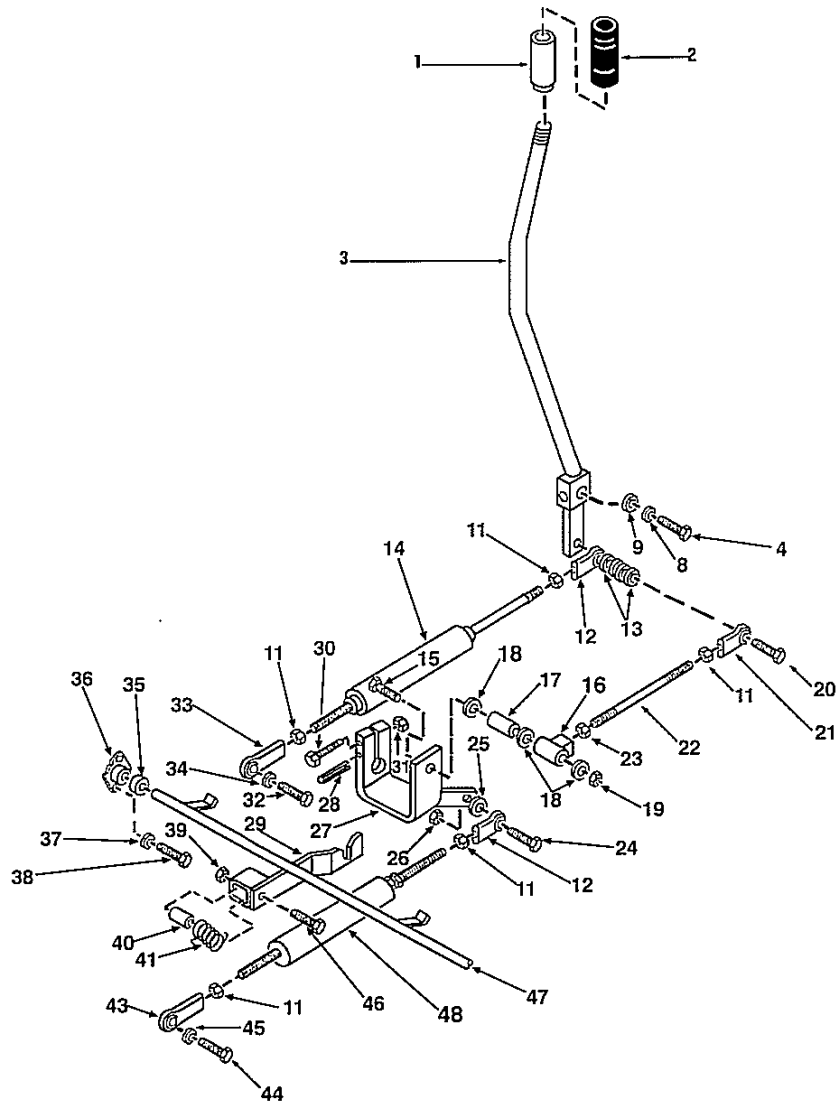
## CONTROLS 2.

A-9	Control Levers (R.H. Side).....	2.1
A-10	Control Levers (L.H. Side).....	2.1.1
A-11	Foot Pedals.....	2.2
A-12	Throttle.....	2.3
B-1	Restraint Bar and Brake Cable.....	2.4

**CONTROLS**





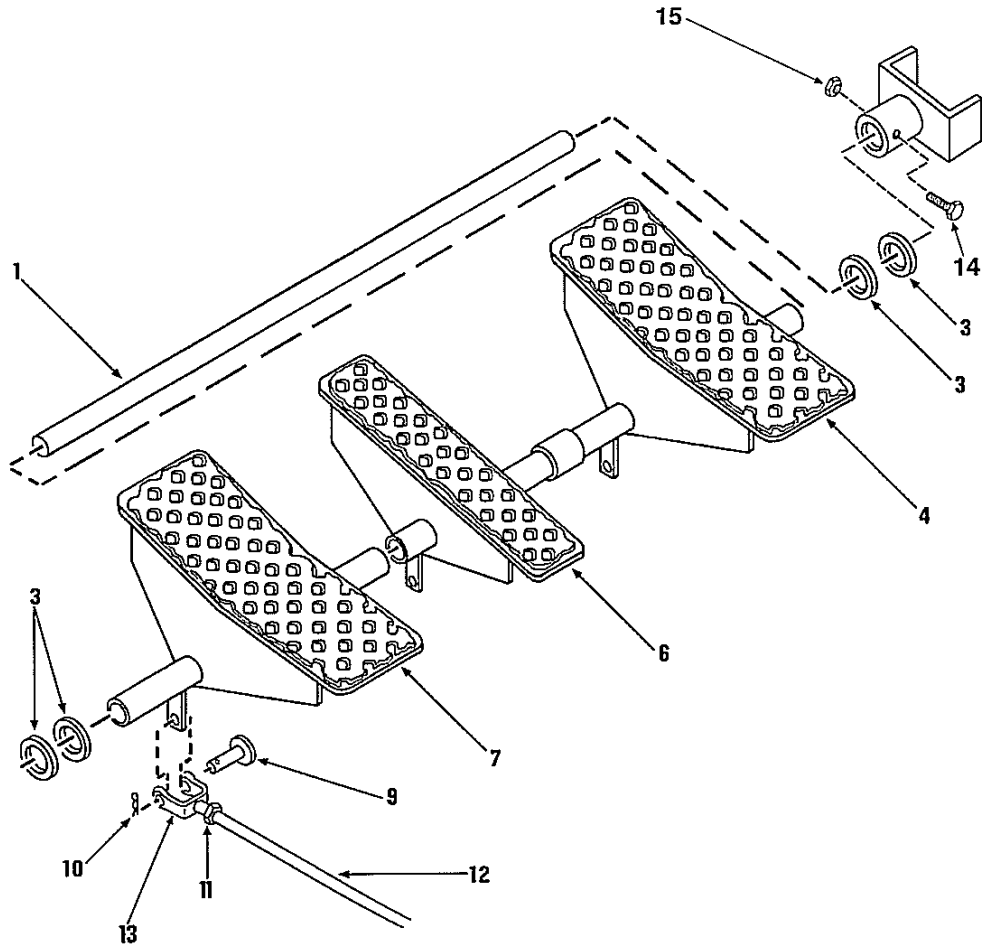




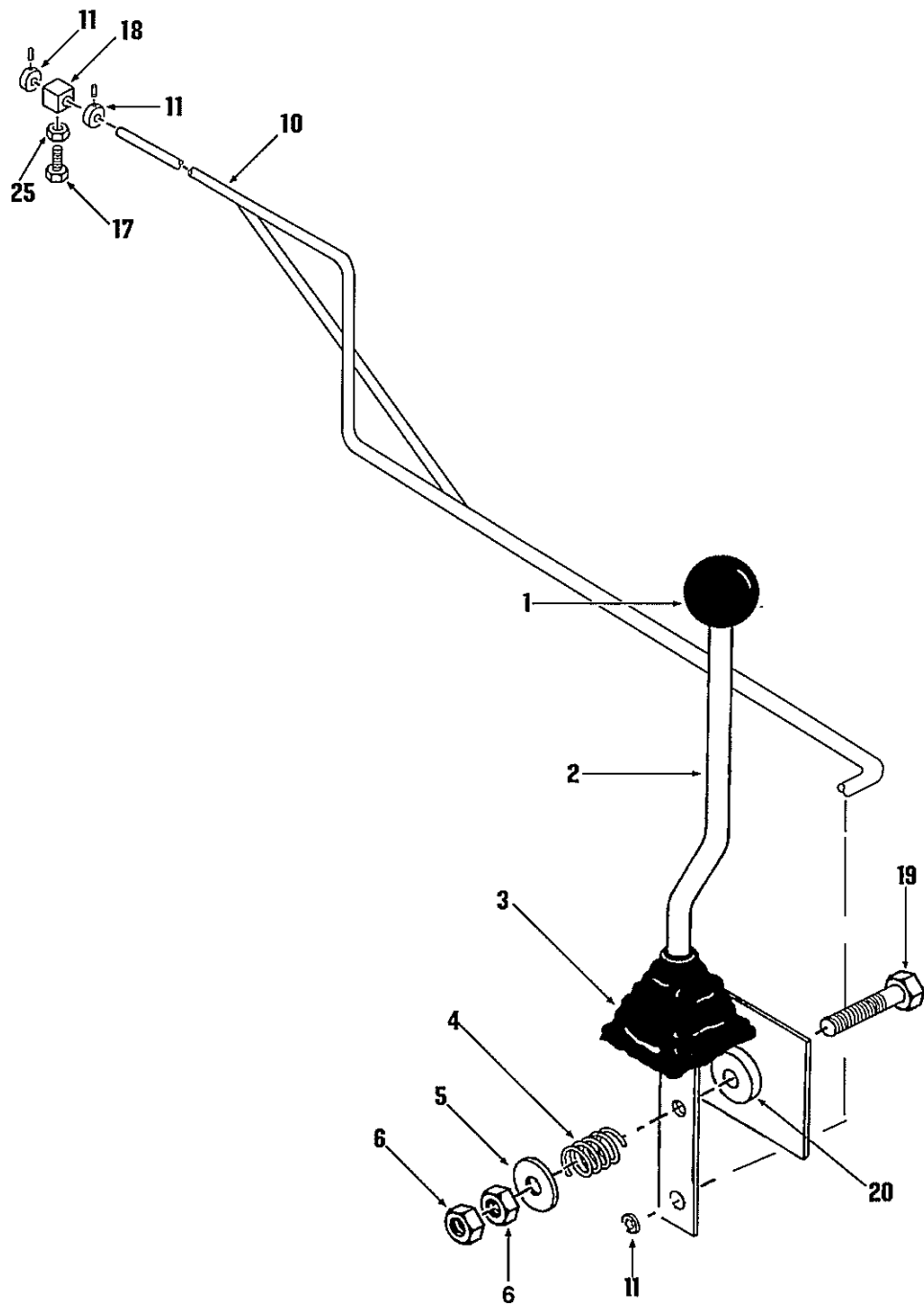
# Control Lever (L.H. Side)

## 2.1.1

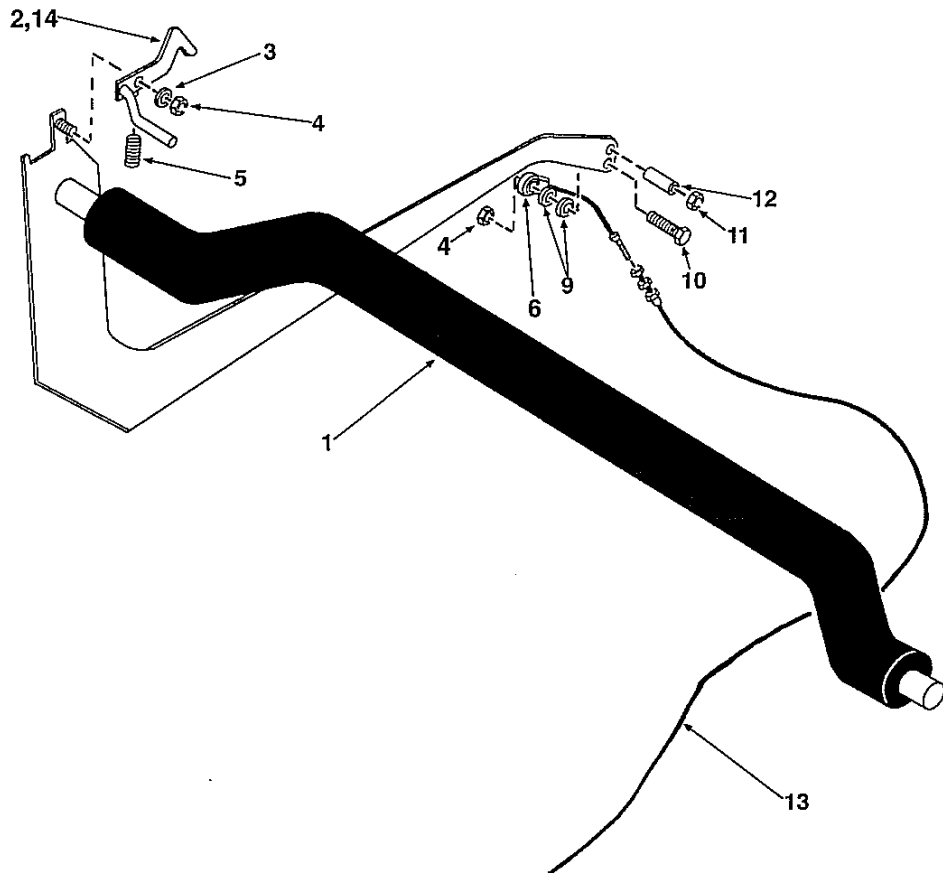
REF. NO.	PART NO.	DESCRIPTION	T133 'S'		SERIAL NO.
1	960878	Lever Handle (M12)	1		To LE007263
1	961303	Lever Handle (M14)	1		LE007263-Onward
2	3189	Grip	1		
3	960910	Control Lever, L.H.	1		To LE006079
3	961205	Control Lever, L.H.	1		LE006080-LE006281
3	960976	Control Lever, L.H.	1		LE006282-LE007262
3	961287	Control Lever, L.H.	1		LE007263-Onward
4	1673	Bolt, 3/8" x 3/4" UNC	1		
8	1642	Lockwasher 3/8"	1		
9	1643	Flatwasher 3/8"	1		
11	1898	Nut, 3/8" UNF	5		
12	5803	Rod End, Female 3/8"	1		
13	21174	Washer, Spacer	3		
14	959073	Hydroback	1		
15	1671	Bolt, 3/8" x 3'	1		
16	960402	Rod End, Isolated LH Thread	1		
17	29349	Spacer	1		
18	29384	Fender Washer	3		
19	7465	Nut, 3/8" Nylock	1		
20	14620	Bolt, 3/8" x 2 3/4" UNC	1		
21	5803	Rod End, Female 3/8"	1		
22	40426	Pintle Linkage Rod	1		
23	35316	Nut, 3/8" UNF LH Thread	1		
24	1672	Bolt, 3/8" x 1 1/2" UNC	1		
25	21174	Washer, Spacer	1		
26	7465	Nut, Nylock 3/8"	1		
27	960907	Pintle Lever Ass'y LH	1		
28	14916	Pin, Spring 3/8" x 1 1/2"	1		
29	37850	Lock Arm	1		
30	3313	Bolt, 1/4" x 2" UNC	1		
31	6645	Nut, 1/4" Nylok	1		
32	1672	Bolt, 3/8" x 1 1/2"	1		
33	15880	Rod End, Male 3/8"UNC	1		
34	21174	Washer, Spacer	1		
35	29066	Set Collar 1/2"	1		
36	29065	Bearing, Nylon 1/2"	1		
37	2279	Lockwasher 1/4"	2		
38	2338	Bolt, 1/4" x 1/2" UNC	2		
39	7465	Nut, Nylok 3/8"	1		
40	23012	Pivot Bushing	1		
41	956137	Spring	1		
43	5803	Rod End, Female 3/8"	1		
44	1672	Bolt, 3/8" x 1 1/2" UNC	1		
45	21174	Washer, Spacer	1		
46	14620	Bolt, 3/8" x 2 3/4" UNC	1		
47	960921	Pintle Unlock Shaft	1		
48	14860	Shock Absorber	1		
	30501	Boot	1		













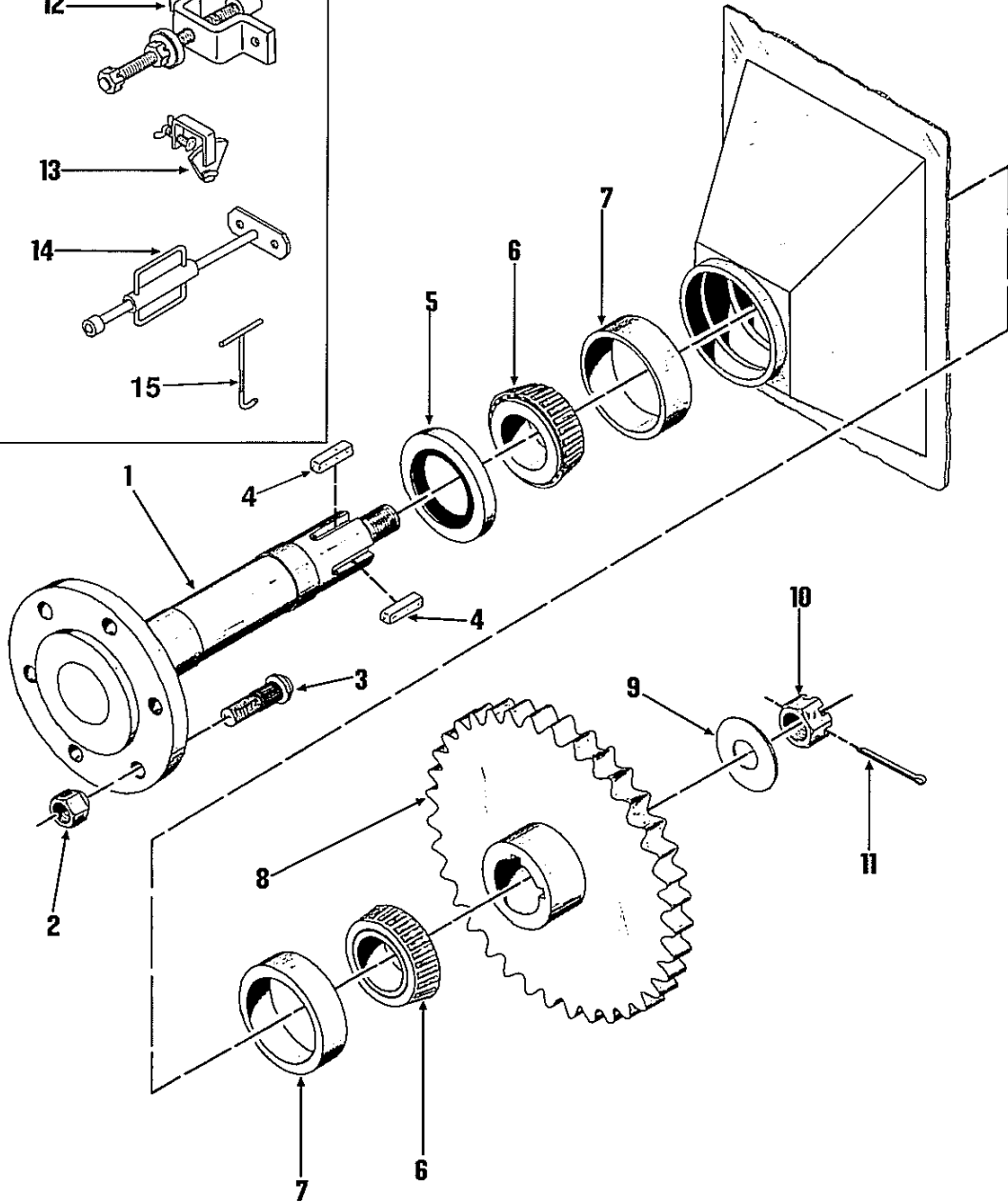
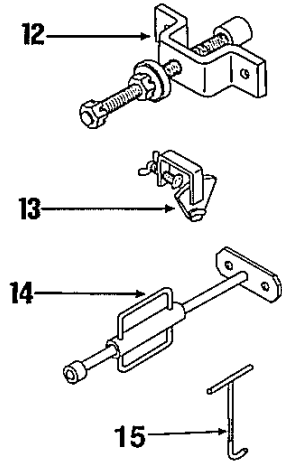
FINAL DRIVE TRANSMISSION 3.

B-2	Axle Ass'y.....	3.1
B-3	Chain Tightener.....	3.2
B-4	Parking Brake.....	3.3

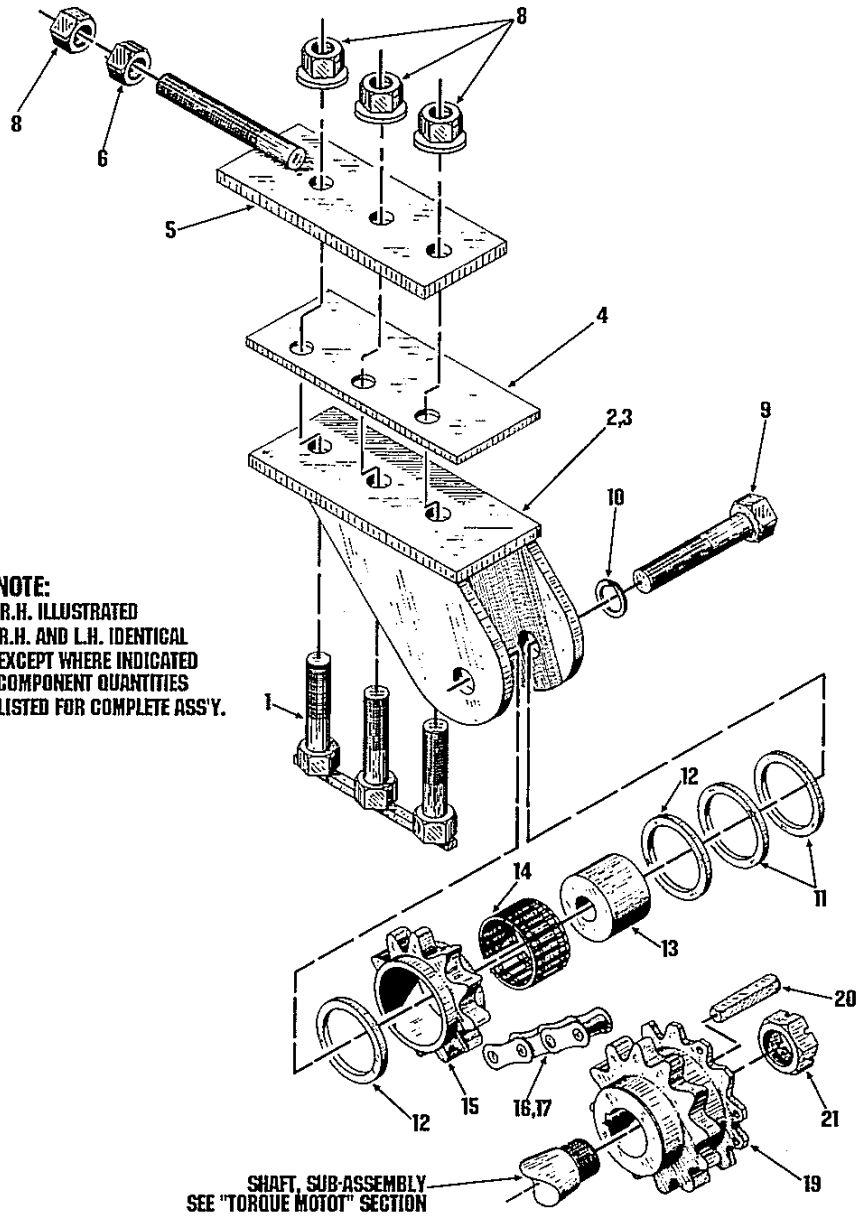




**SPECIAL TOOLS**



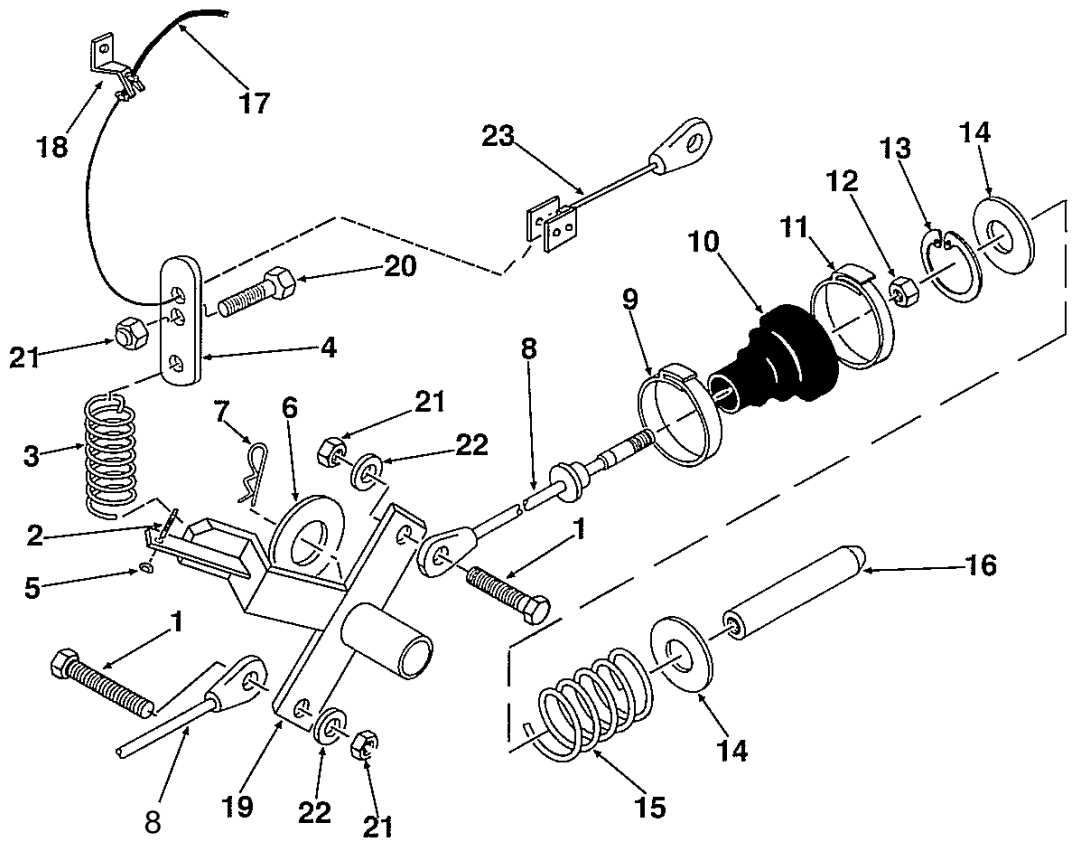




**NOTE:**  
-R.H. ILLUSTRATED  
R.H. AND L.H. IDENTICAL  
EXCEPT WHERE INDICATED  
COMPONENT QUANTITIES  
LISTED FOR COMPLETE ASS'Y.

SHAFT, SUB-ASSEMBLY  
SEE "TORQUE MOTOT" SECTION



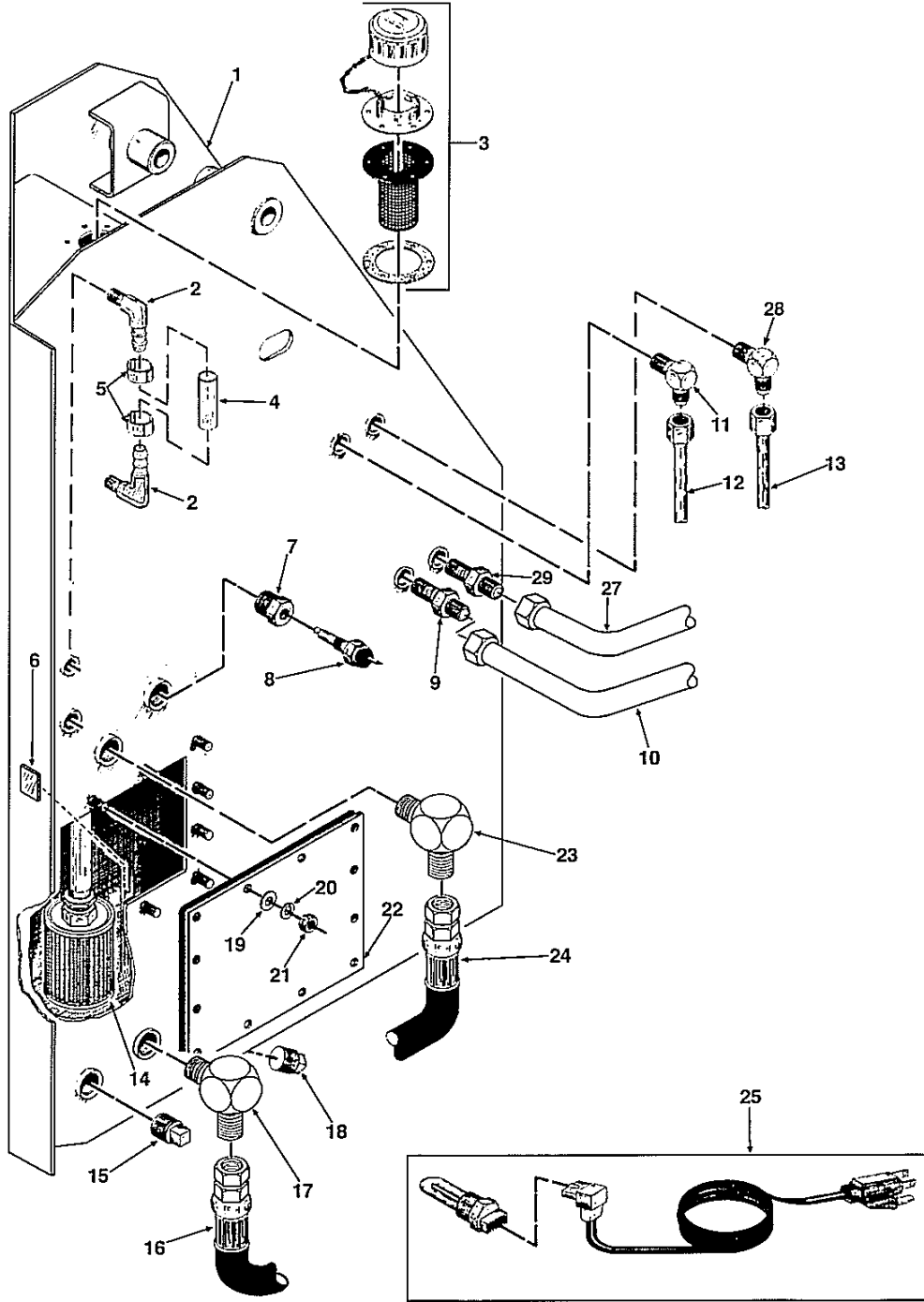




## HYDRAULIC SYSTEM 4.

B-5	Oil Reservoir.....	4.1
B-6	Boom Lift Circuit.....	4.2
B-7	Bucket Tilt Circuit.....	4.3
B-8	Auxiliary Hydraulic Circuit.....	4.4
B-9	Auxiliary Gear Pump.....	4.5
B-10	Control Valve.....	4.6
B-11	Hydraulic Oil Cooler and Filter.....	4.7
B-12	Lift Cylinder.....	4.8
C-1	Tilt Cylinder.....	4.8.1

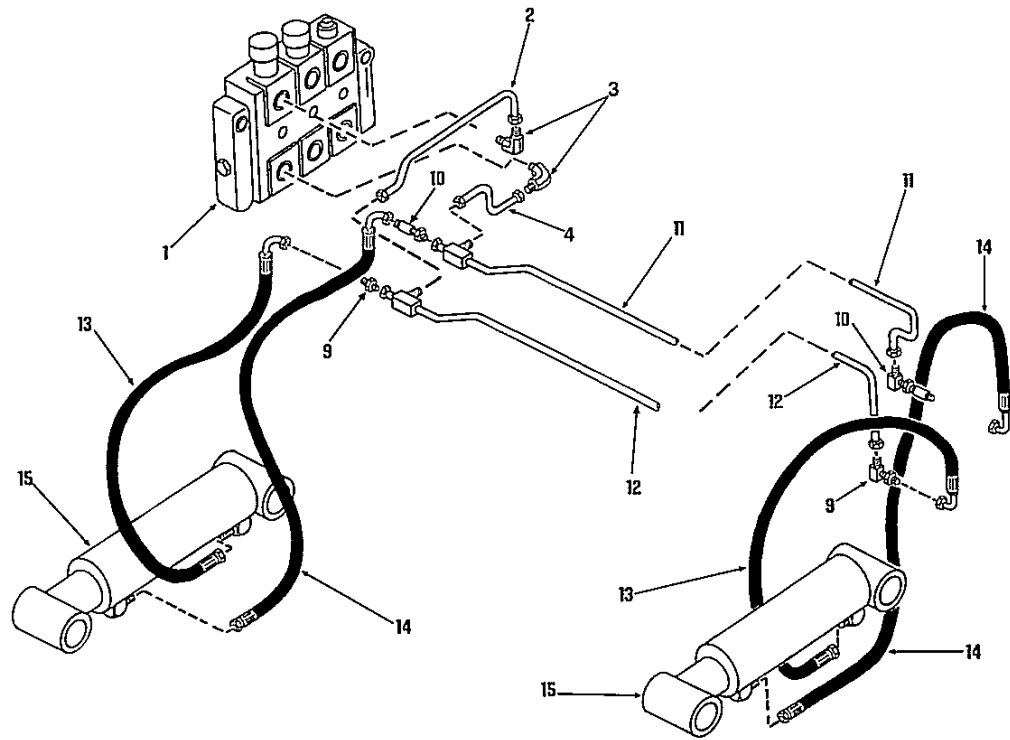
**HYDRAULIC  
SYSTEM**



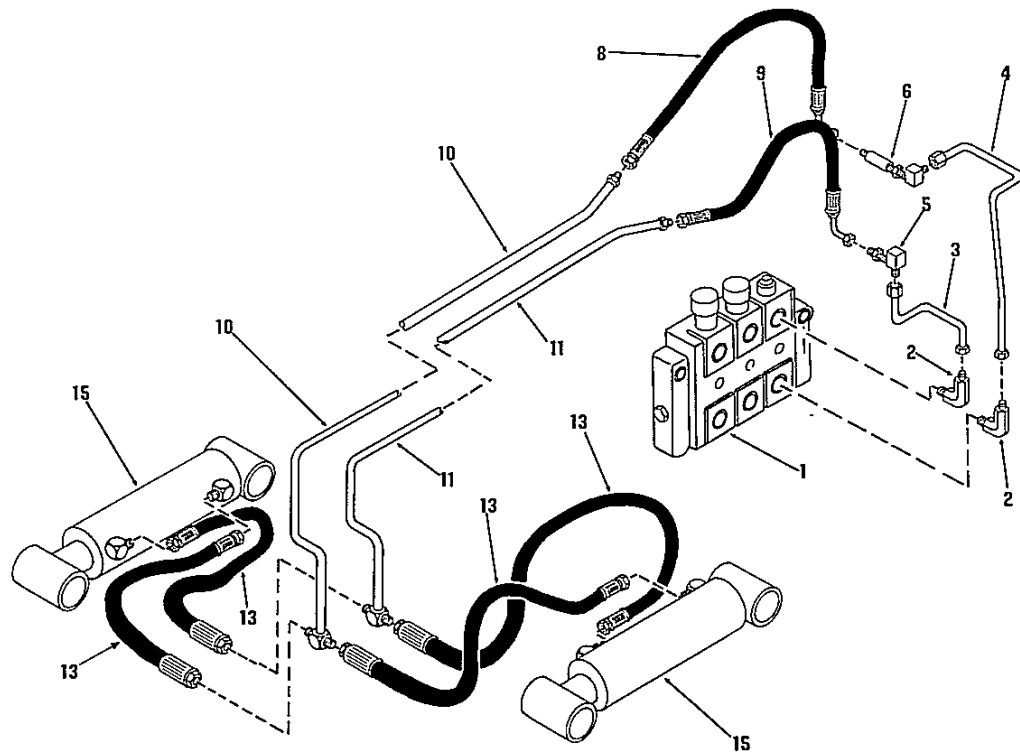
C-046



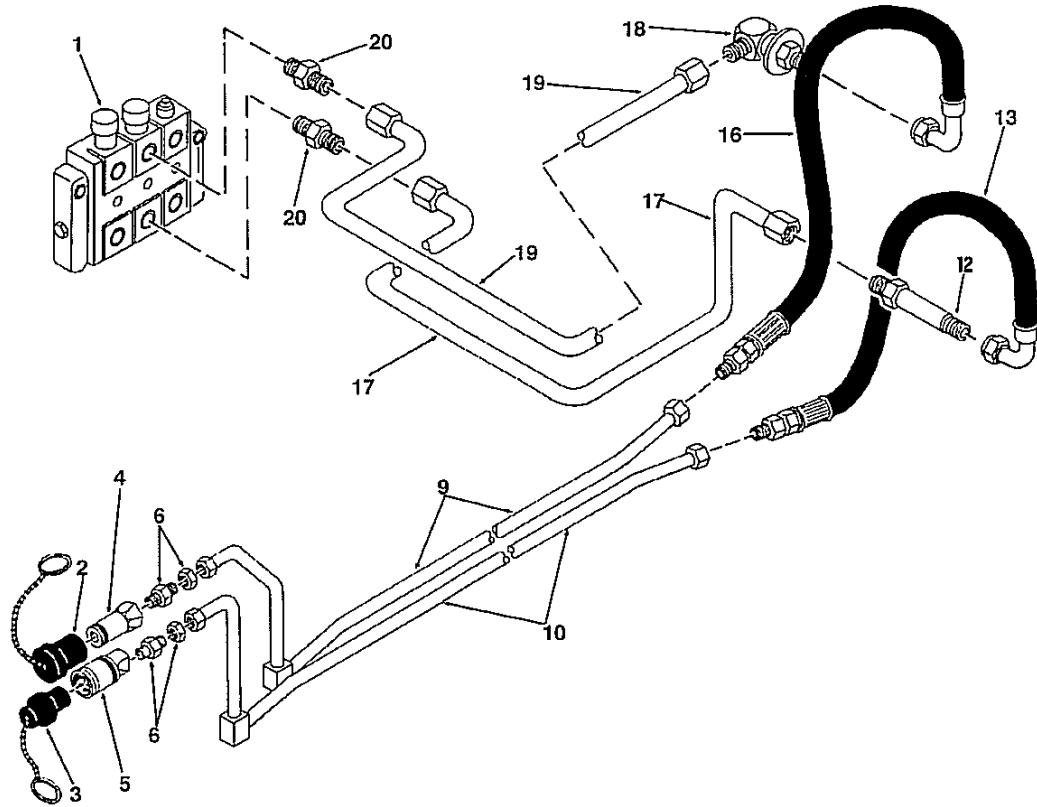




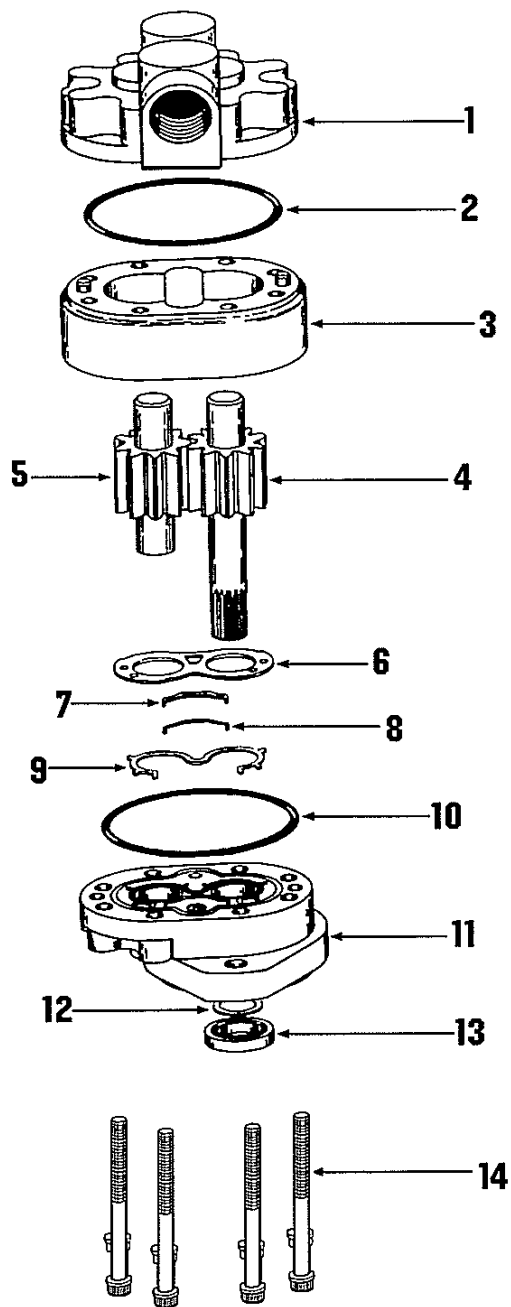






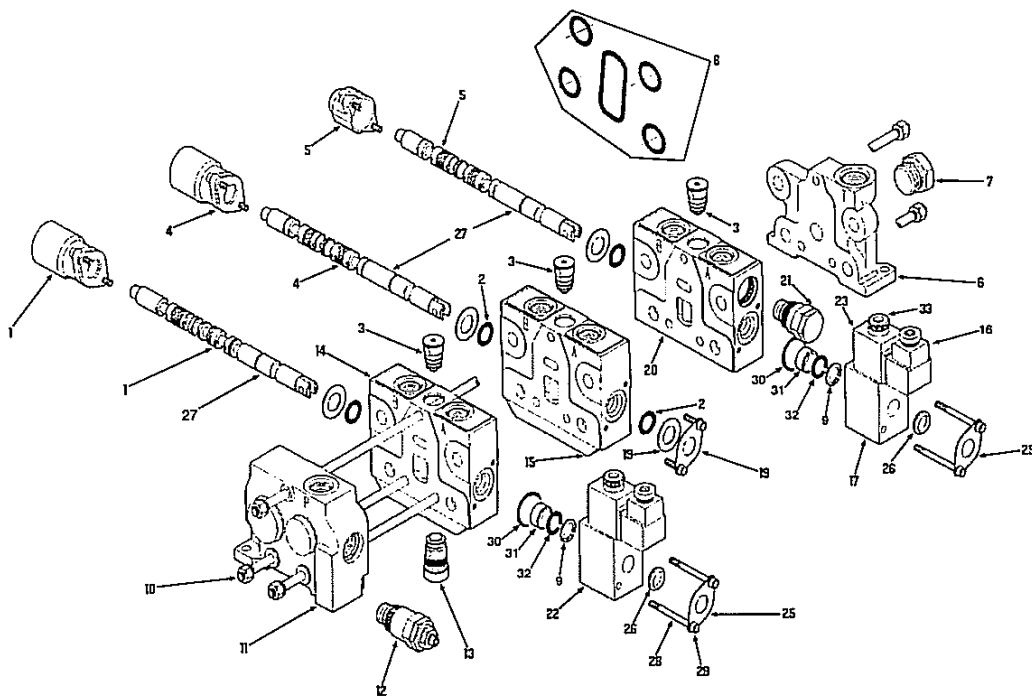




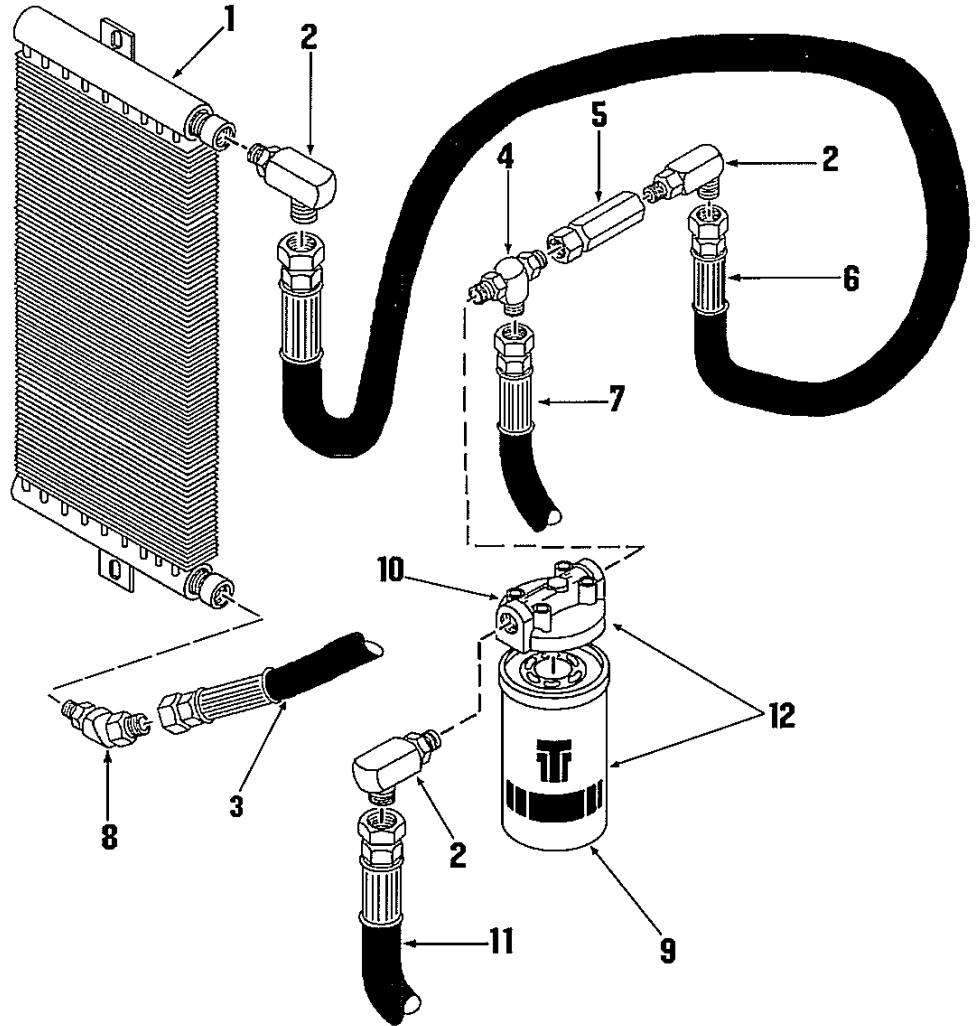




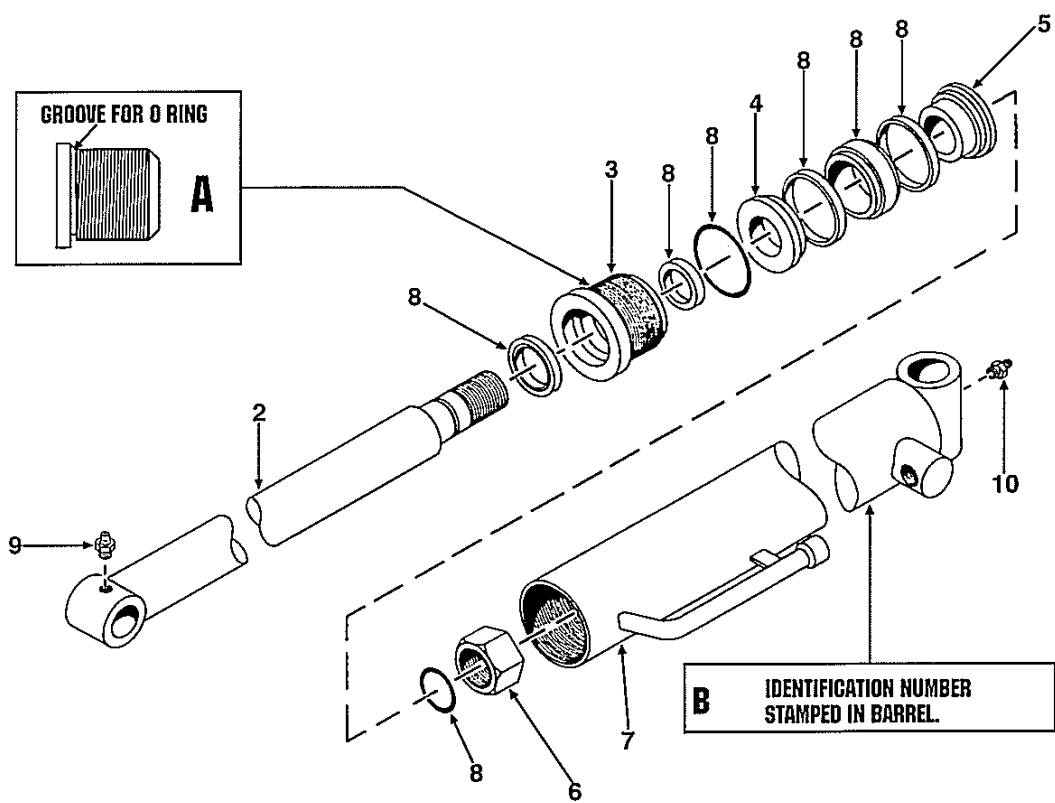












# Lift Cylinder

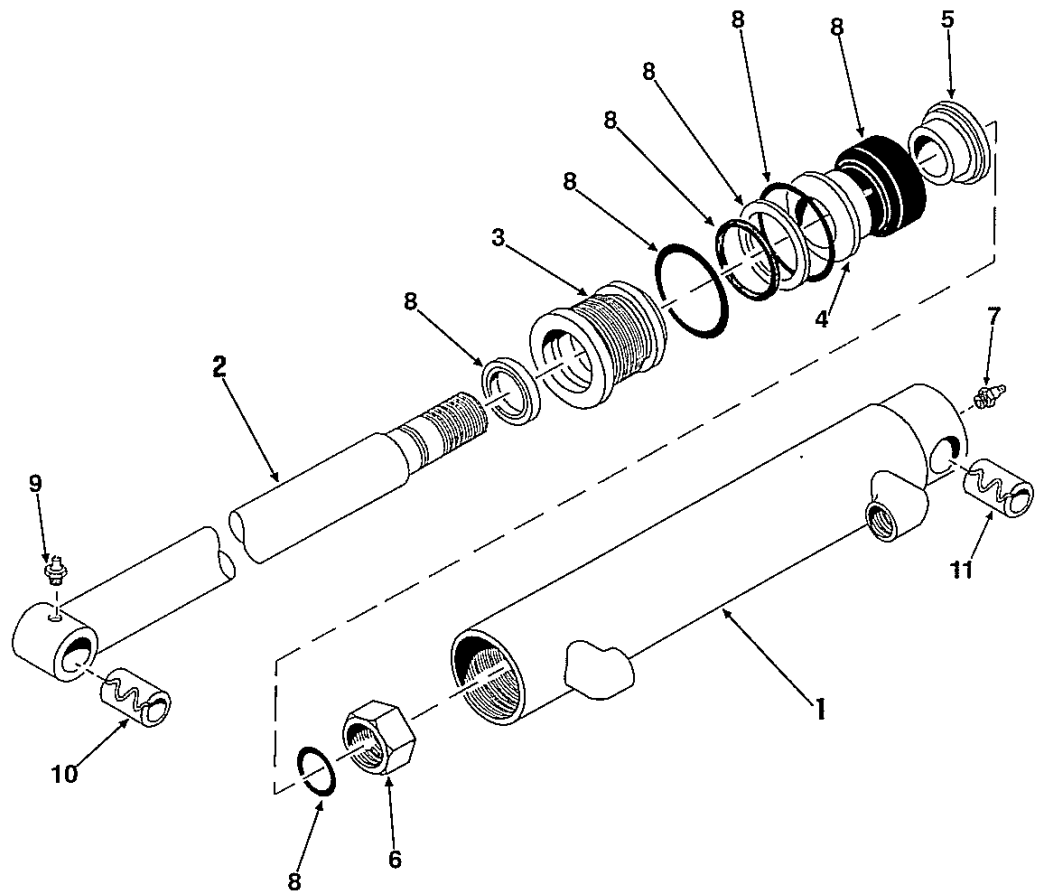
4.8

REF. NO.	PART NO.	DESCRIPTION	T133 'S'
		<b>LIFT CYLINDER TO LE006860</b>	
1	29877	Lift Cylinder, 2" x 27 1/8" x 1 1/4" Rod.	1
2	29990	Cylinder Rod	1
3	29987	End Cap	1
4	29989	Piston, Front Section	1
5	29988	Piston, Rear Section	1
6	23530	Nut	1
7	29991	Cylinder Body	1
8	23539	Seal Kit, Complete	1
9	35449	Grease Fitting, 1/8" NPT	1
10	35451	Grease Fitting, 1/8" NPT 90°	1
		<b>OPTIONAL H.D. LIFT CYLINDER TO LE006860</b>	
1	37397	Lift Cylinder, 2.5" x 27 1/8" x 1 1/2" Rod	1
2	37418	Cylinder Rod	1
3	37415	End Cap	1
4	37416	Piston, Front Section	1
5	37417	Piston, Rear Section	1
6	37412	Nut	1
7	37419	Cylinder Body	1
8	37407	Seal Kit, Complete	1
9	35449	Grease Fitting, 1/8" NPT	1
10	35451	Grease Fitting, 1/8" NPT 90°	1
		<b>LIFT CYLINDER LE006861- ONWARD</b>	
1	39980	Lift Cylinder, 2.5" x 27 1/8" x 1 1/4" Rod	1
2	41200	Cylinder Rod	1
3	41198	End Cap	1
4	29989	Piston, Front Section	1
5	29988	Piston, Rear Section	1
6	23530	Nut	1
7	41199	Cylinder Body	1
8	41201	Seal Kit, Complete	1
9	35449	Grease Fitting, 1/8" NPT	1
10	35451	Grease Fitting, 1/8" NPT 90°	1
		<b>OPTIONAL H.D. LIFT CYLINDER LE006861-ONWARD</b>	
1	39981	Lift Cylinder, 2.5" x 27 1/8" x 1 1/2" Rod	1
2	41204	Cylinder Rod	1
3	41202	End Cap	1
4	37416	Piston, Front Section	1
5	37417	Piston, Rear Section	1
6	37412	Nut	1
7	41203	Cylinder Body	1
8	41205	Seal Kit, Complete	1
9	35449	Grease Fitting 1/8" NPT	1
10	35451	Grease Fitting 1/8" NPT 90°	1

C-1

# THOMAS Tilt Cylinder

4.8.1



C-020

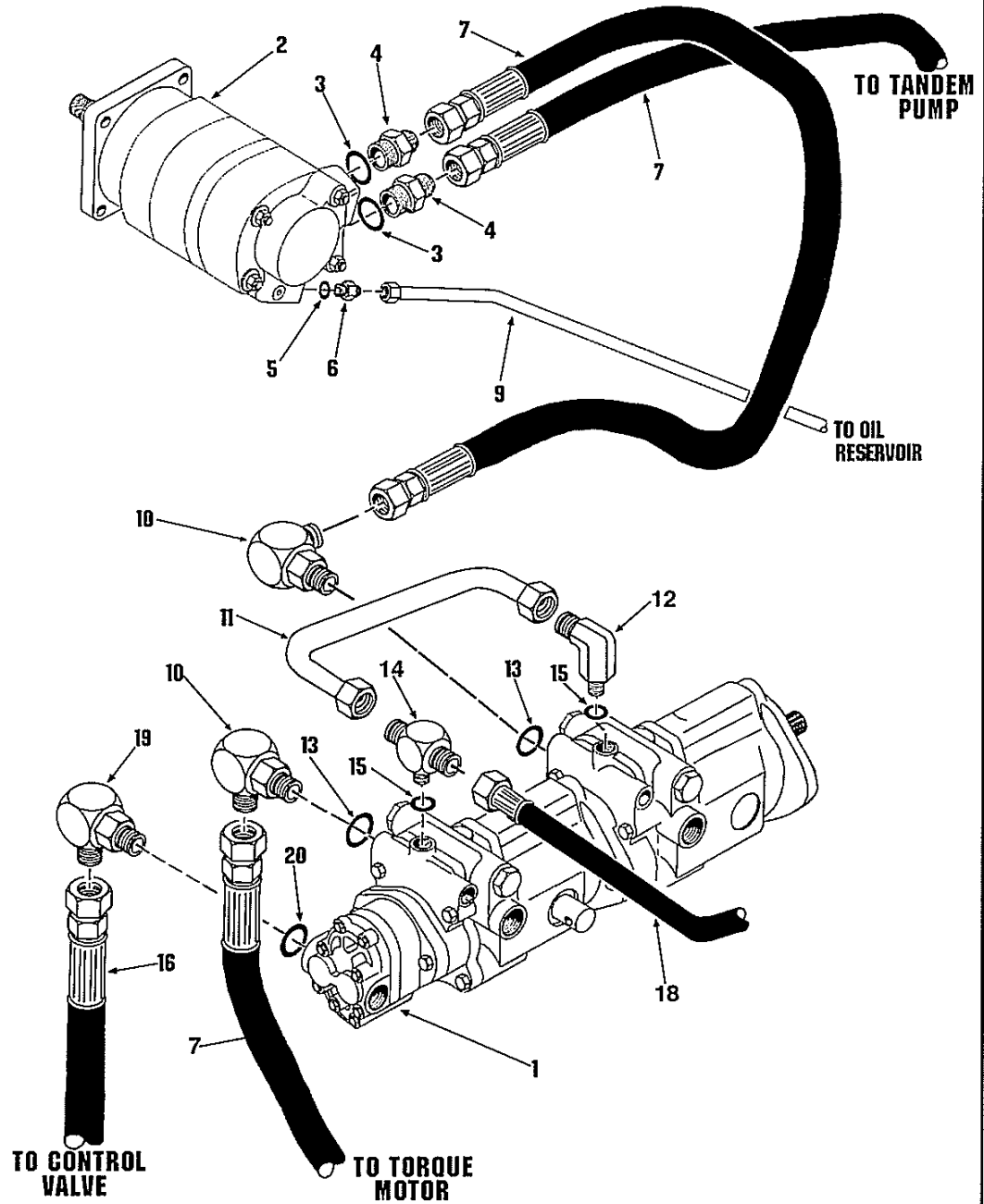




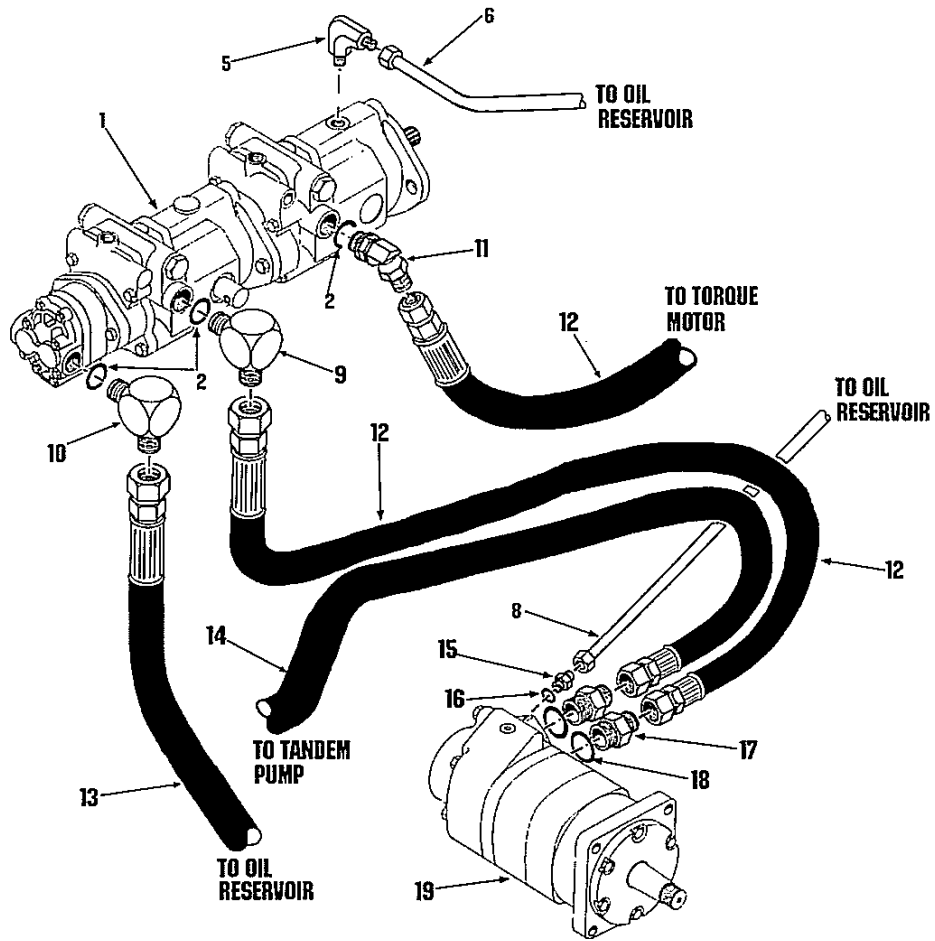
## HYDROSTATIC DRIVE SYSTEM 5.

C-2	Hydrostatic Drive Circuit (R.H. Side).....	5.1
C-3	Hydrostatic Drive Circuit (L.H. Side).....	5.1.1
C-4	Front Hydrostatic Pump.....	5.2
C-5	Rear Hydrostatic Pump.....	5.2.1
C-6	Torque Motor.....	5.3

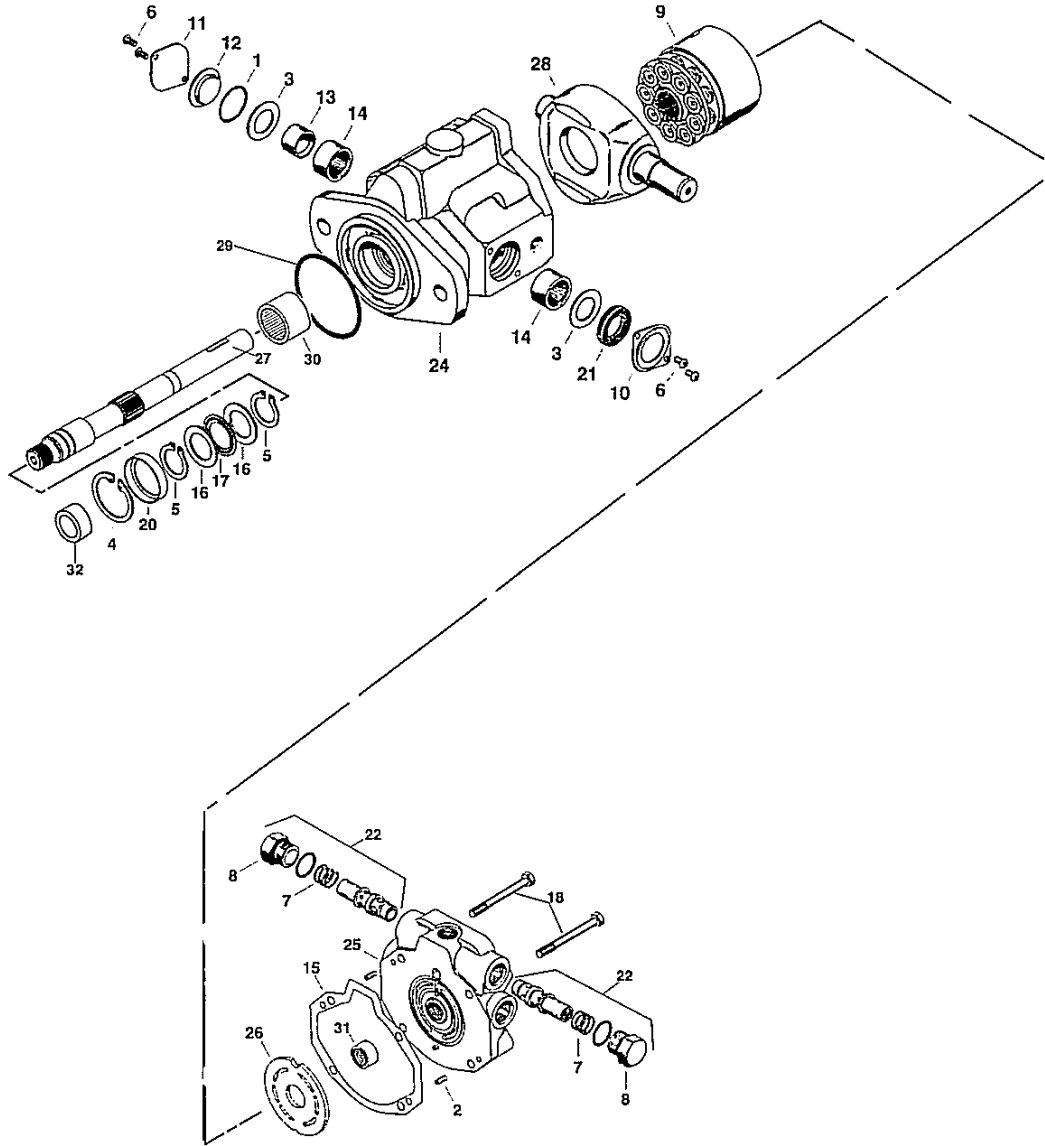
**HYDROSTATIC  
SYSTEM**





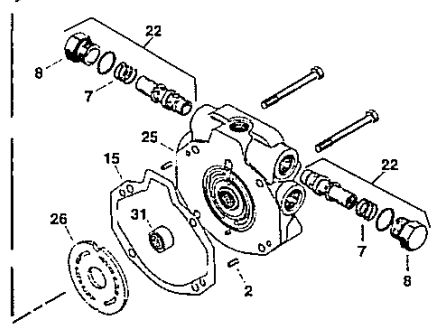
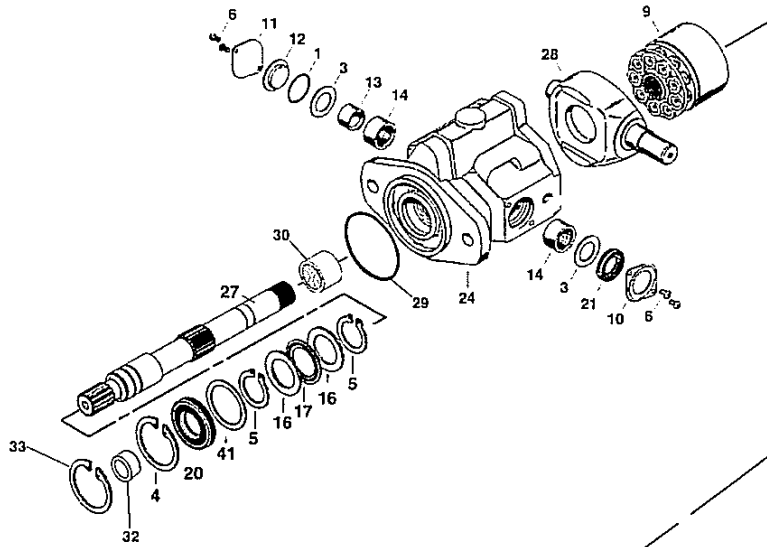




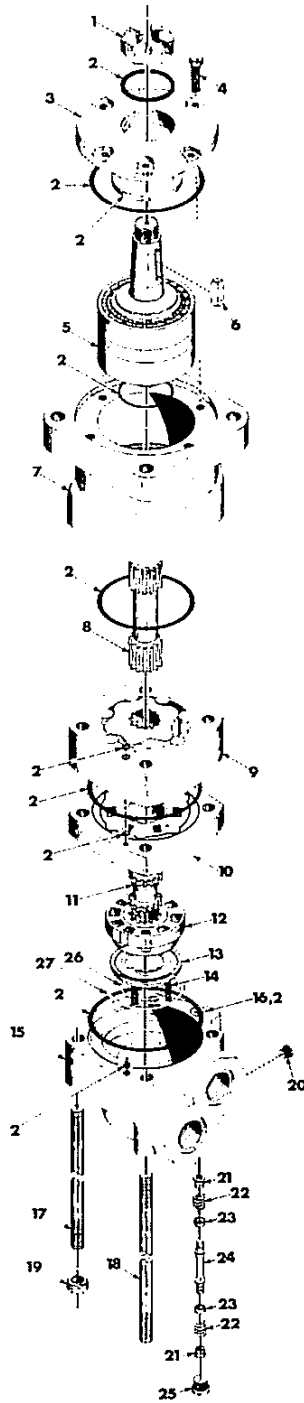














## ELECTRICAL SYSTEM 6.

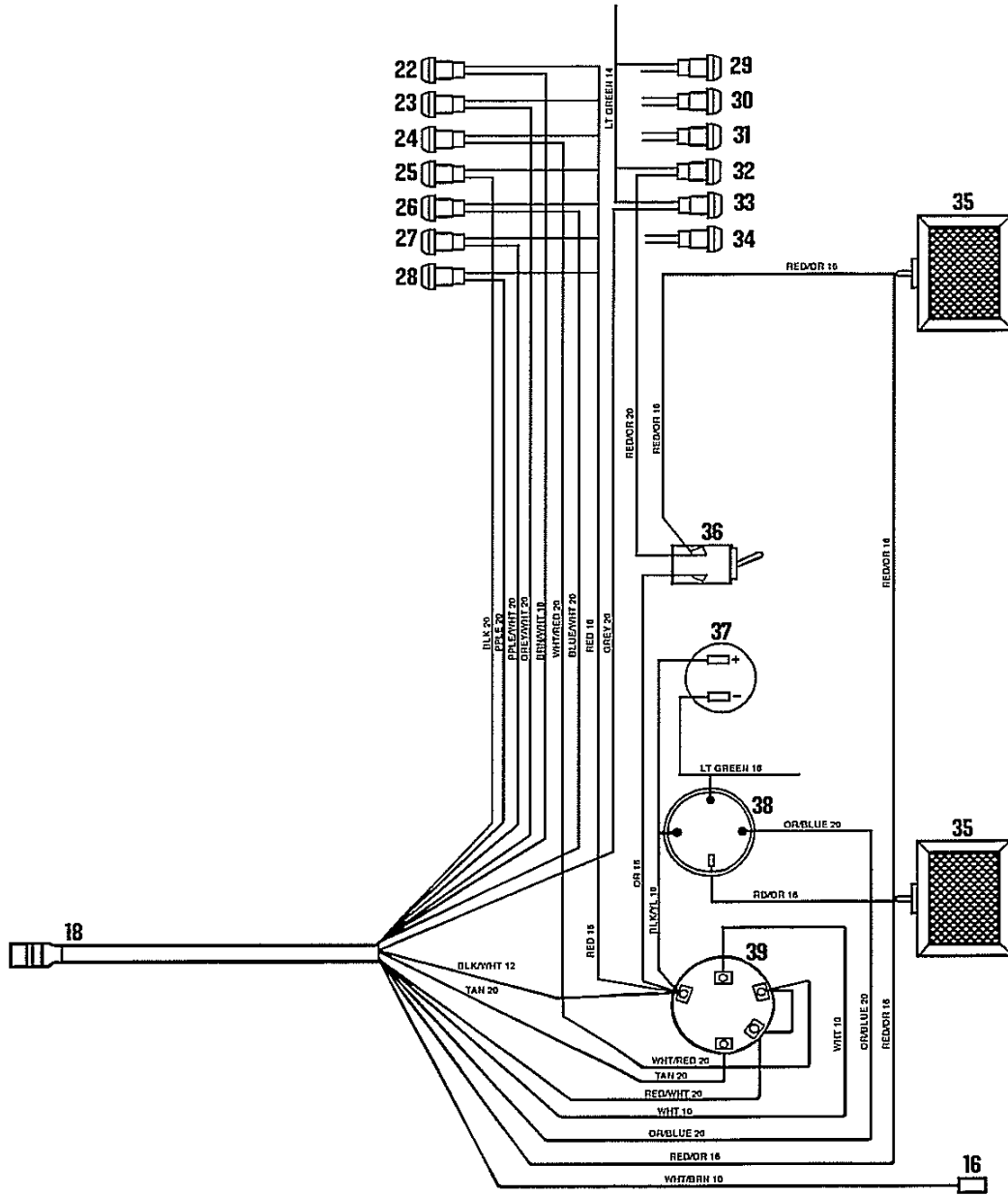
C-7	Electrical Schematic (ROPS Side).....	6.1
C-8	Electrical Schematic (Engine Side) .....	6.2

**ELECTRICAL  
SYSTEM**

C-7

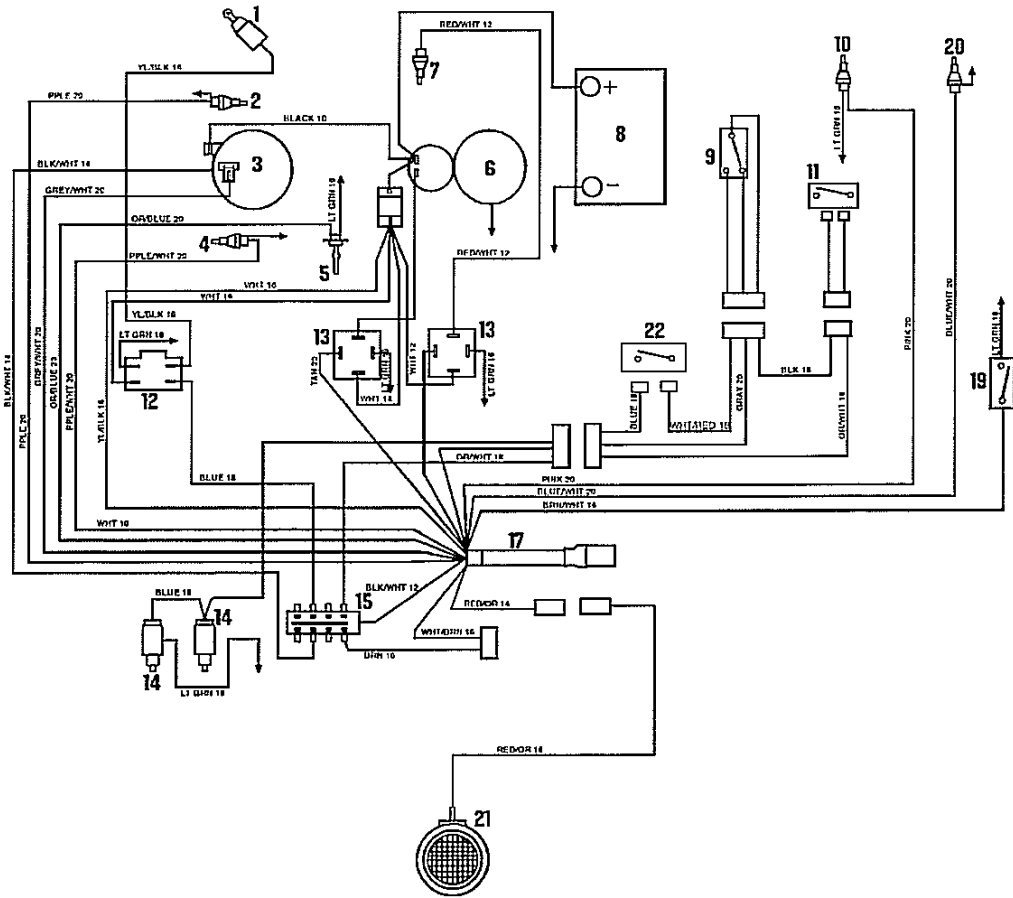


# Electrical Schematic (ROPS Side) 6.1



C-026





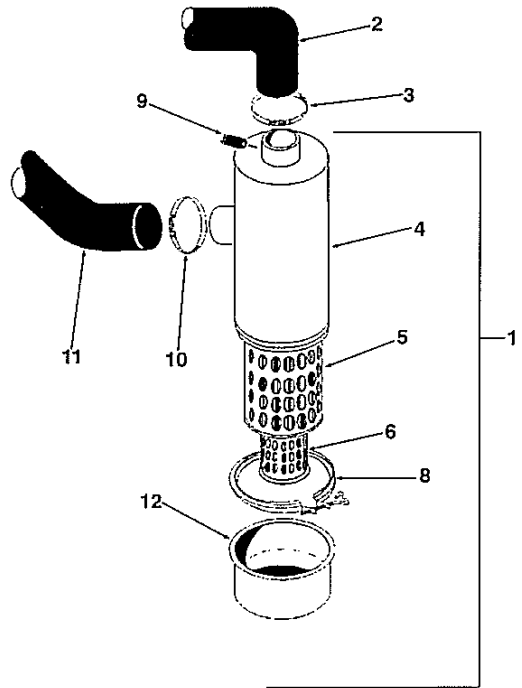
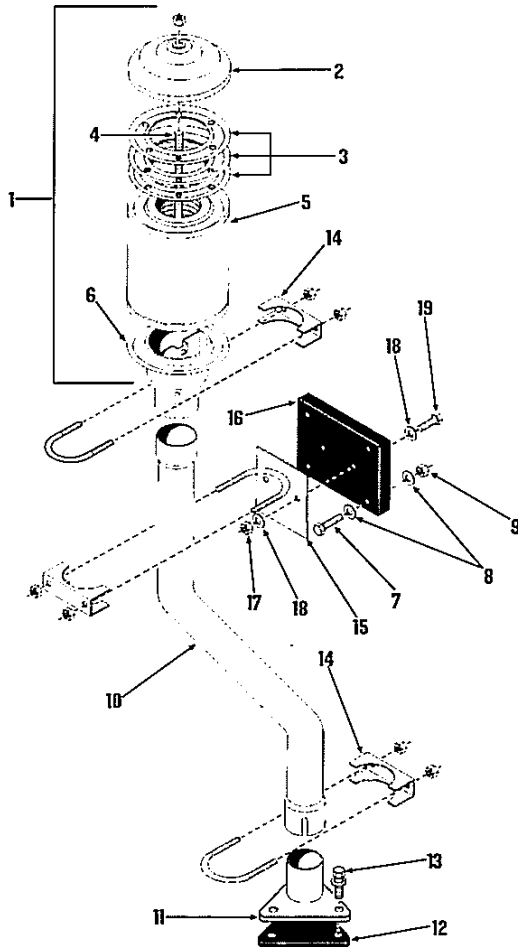




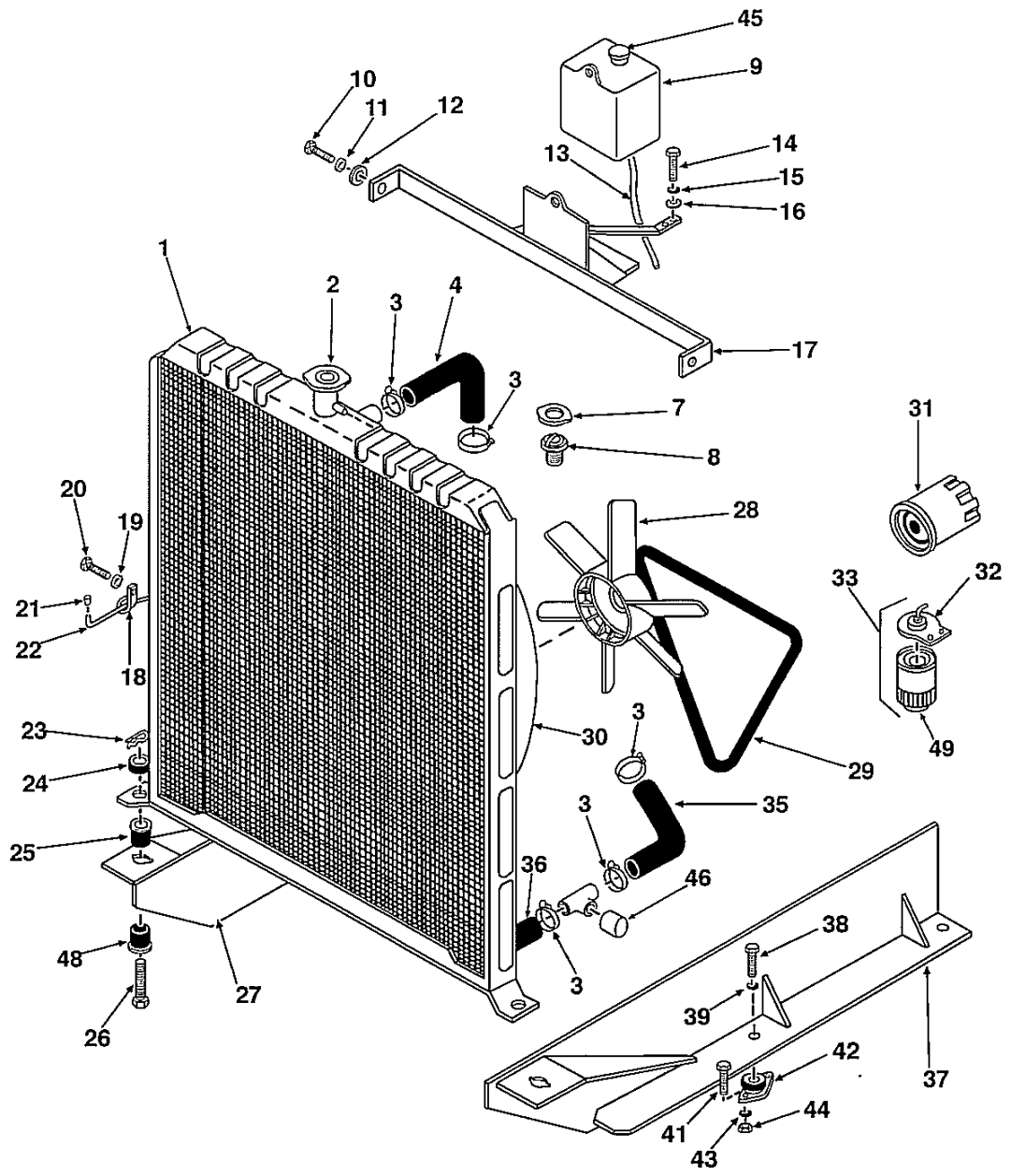
## ENGINE EQUIPMENT 7.

C-9	Exhaust System.....	7.1
C-9	Air Cleaner.....	7.1
C-10	Radiator and Engine Mounts.....	7.2
C-11	Universal Joint.....	7.3

**ENGINE  
EQUIPMENT**





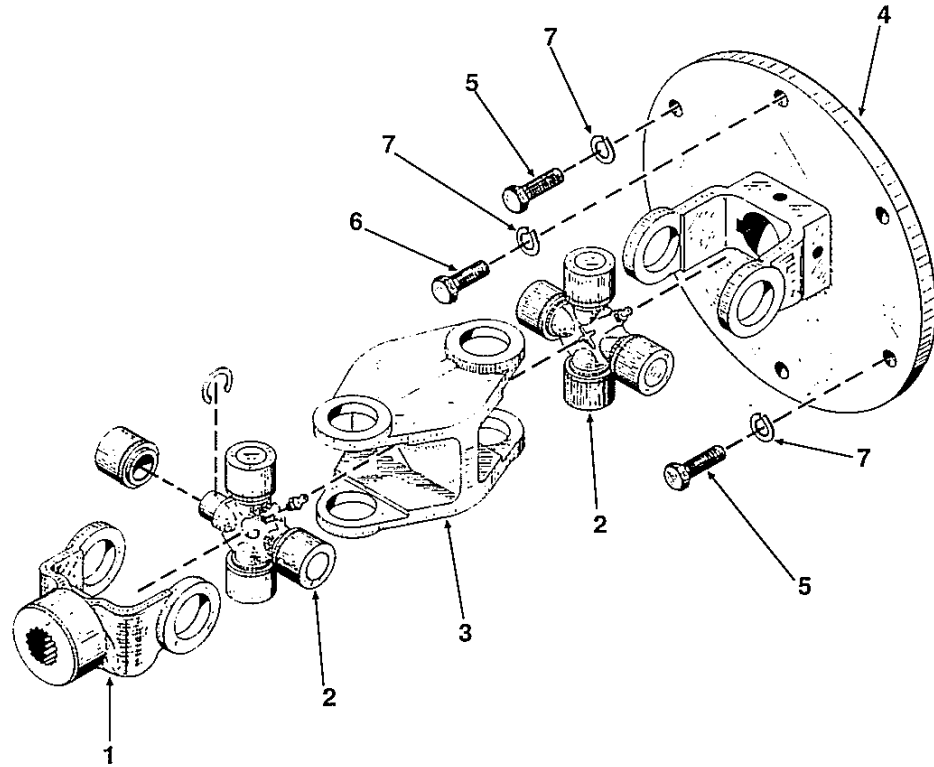


C-044

# Radiator and Engine Mounts

## 7.2

REF. NO.	PART NO.	DESCRIPTION	T133 'S'		SERIAL NO.
1	39727	Radiator Ass'y (Inc. Items 2 and 30)	1		
2	19572	Radiator Cap	1		
3	18478	Clamp, Top Radiator Hose	6		
4	22204	Top Radiator Hose	1		
7	19586	Gasket, Thermostat	1		
8	33149	Thermostat Ass'y	1		
9	38671	Reservoir Overflow	1		
10	23771	Bolt, M6 x 16	2		
11	21320	Washer, Lock M10	2		
12	1650	Washer, Flat 1/4"	2		
13	792	Tube, 1/8" ID Clear Vinyl	4ft		
14	24790	Bolt, M10 x 25	2		
15	21028	Washer, Lock M10	2		
16	1643	Washer, Flat 3/8"	2		
17	960646	Brace, Top Radiator Ass'y	1		
18	26029	Clip, Support	1		
19	21320	Washer, M6	1		
20	23771	Bolt, M6 x 16	1		
21	39209	Cap, End Red	1		
22	40342	Bar, Emergency Stop Rod	1		
23	18481	Pin	2		
24	18469	Washer Cushion	4		
25	18468	Cushion	2		
26	19574	Bolt	2		
27	960774	Mount, LH Engine Ass'y	1		
28	39730	Fan, Pusher	1		
29	35568	V-Belt	1		
30	35765	Fan Shroud	1		
31	11495	Oil Filter	1		
32	39684	Fuel Filter, Cover	1		
33	21679	Fuel Filter, Ass'y	1		
34	35772	Hose, Water Tee	1		
35	35773	Hose, Water Bottom	1		
36	35774	Hose Water	1		
37	960775	Mount, RH Engine Ass'y	1		
38	26859	Bolt, M12 x 30	4		
39	21558	Washer, Lock 12M	4		
41	1190	Bolt, 5/16" x 1"	8		
42	38558	Isolator, Engine	4		
43	1651	Washer, Flat 5/16"	8		
44	1870	Nut, 5/16" UNF	8		
45	39836	Reservoir Overflow Cover	1		
*	37980	Cable Tie	2		
*	26029	Cable Clip	1		
46	19583	Cap	1		
47	39728	Fan, Cover	1		
48	18467	Cushion	2		
49	21677	Fuel Filter	1		







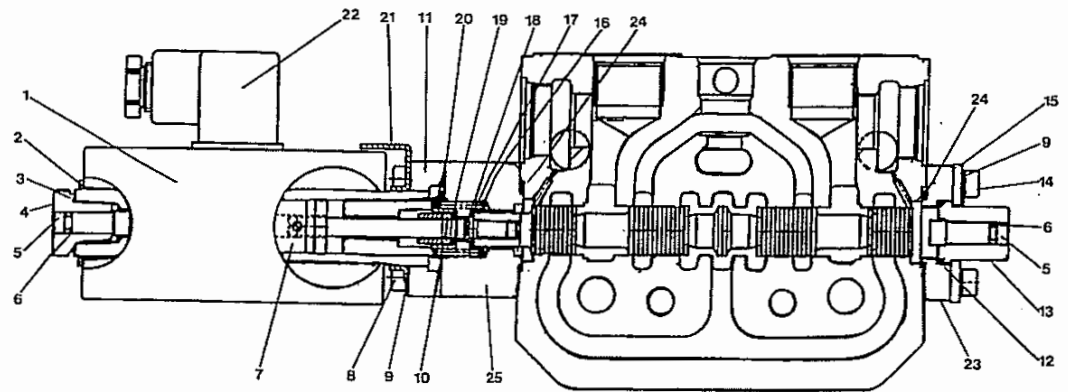
## OPTIONAL EQUIPMENT 8.

C-12	Electric Auxiliary.....	8.1
D-1	Hand Control Lever (R.H. Side).....	8.2
D-2	Hand Control Lever (L.H. Side).....	8.3
D-3	Valve, High Flow.....	8.4
D-4	Back-Up Alarm.....	8.5
D-5	Horn Kit.....	8.6
D-6	Wheel Equipment.....	8.7
D-7	Sound Insulation.....	8.8
D-8	Cab Door.....	8.9
D-9	Strobe Light Kit.....	8.10
D-10	Directional Light Kit.....	8.11
D-11	Cab Heater.....	8.12
D-12	Control Valve Locks.....	8.13

**OPTIONAL  
EQUIPMENT**

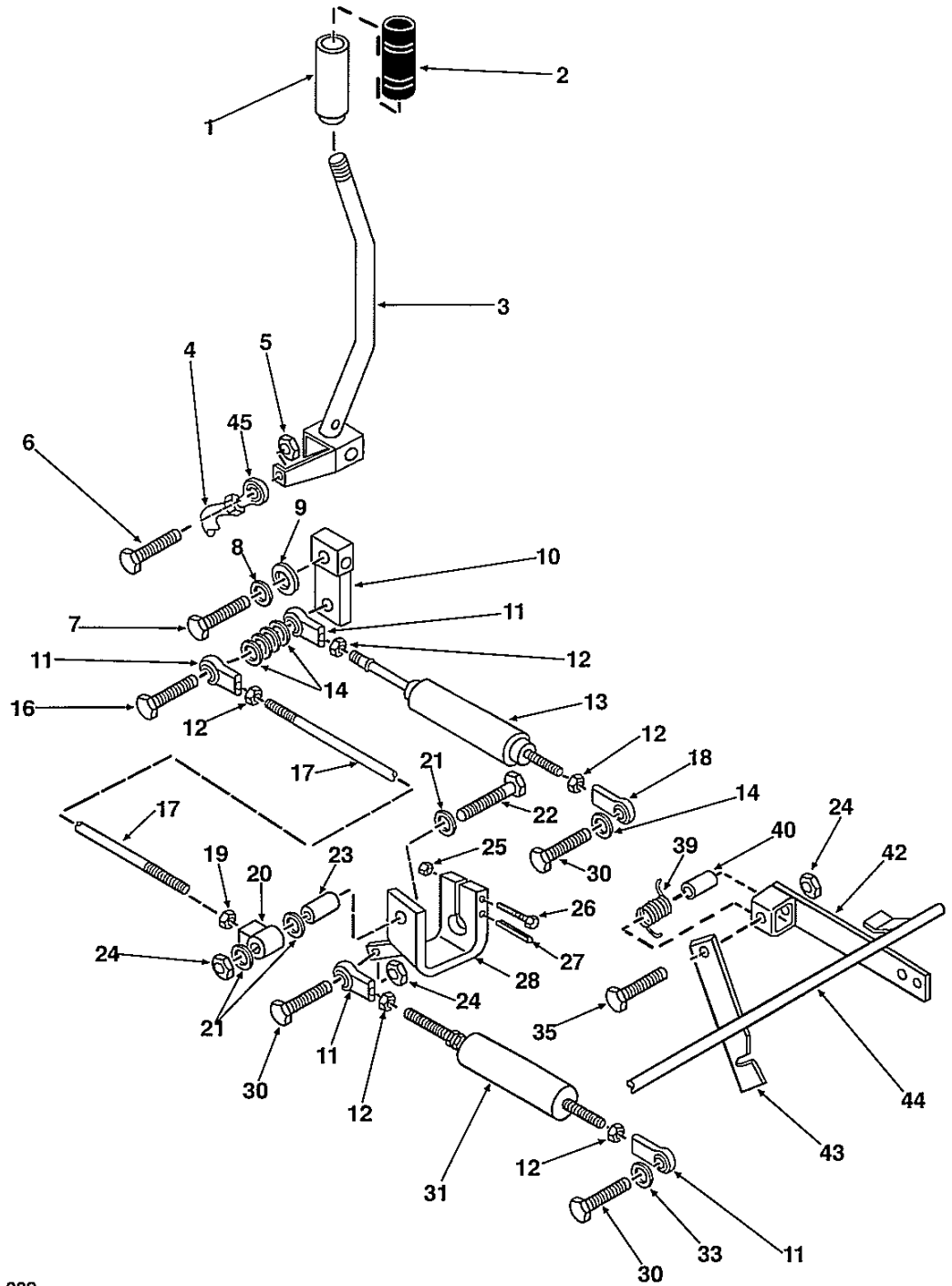
C-12

# THOMAS Electric Auxiliary 8.1

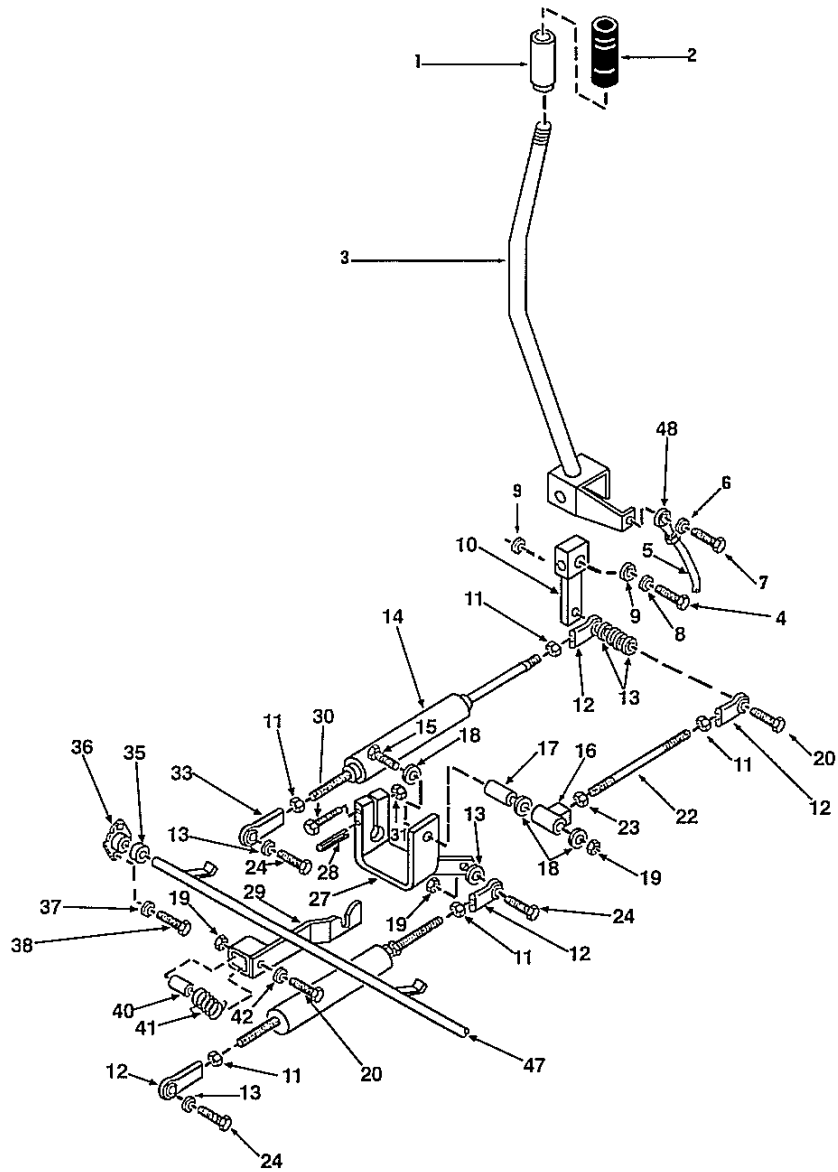


C-014

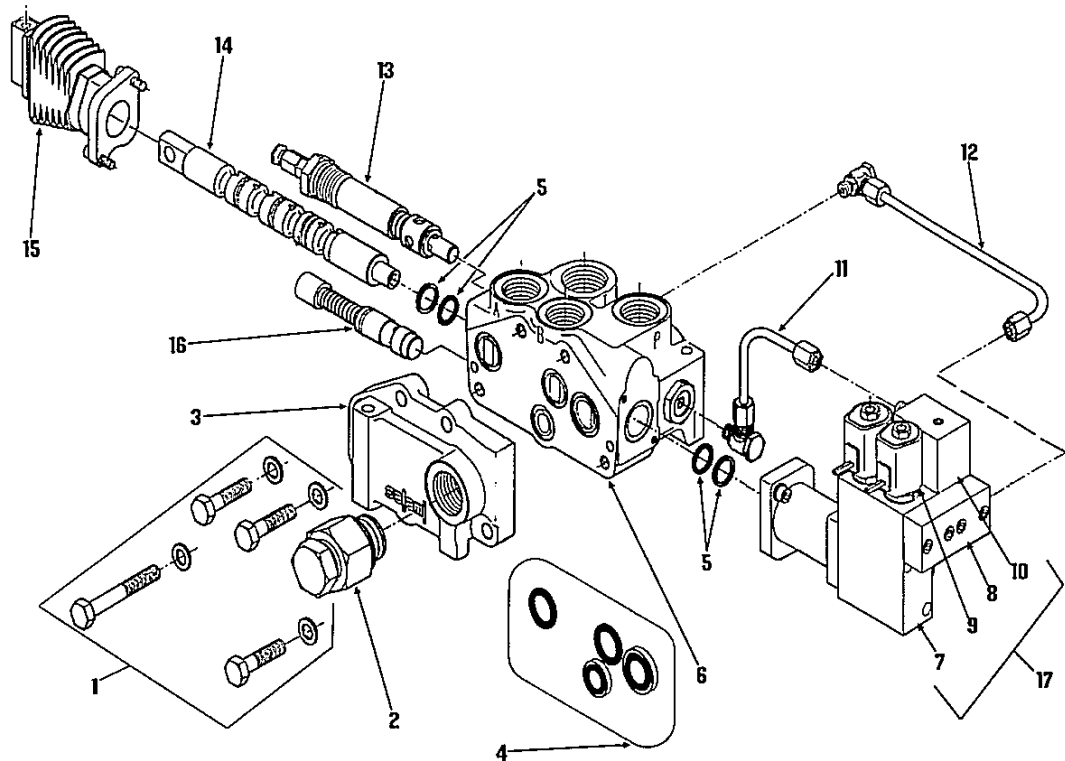














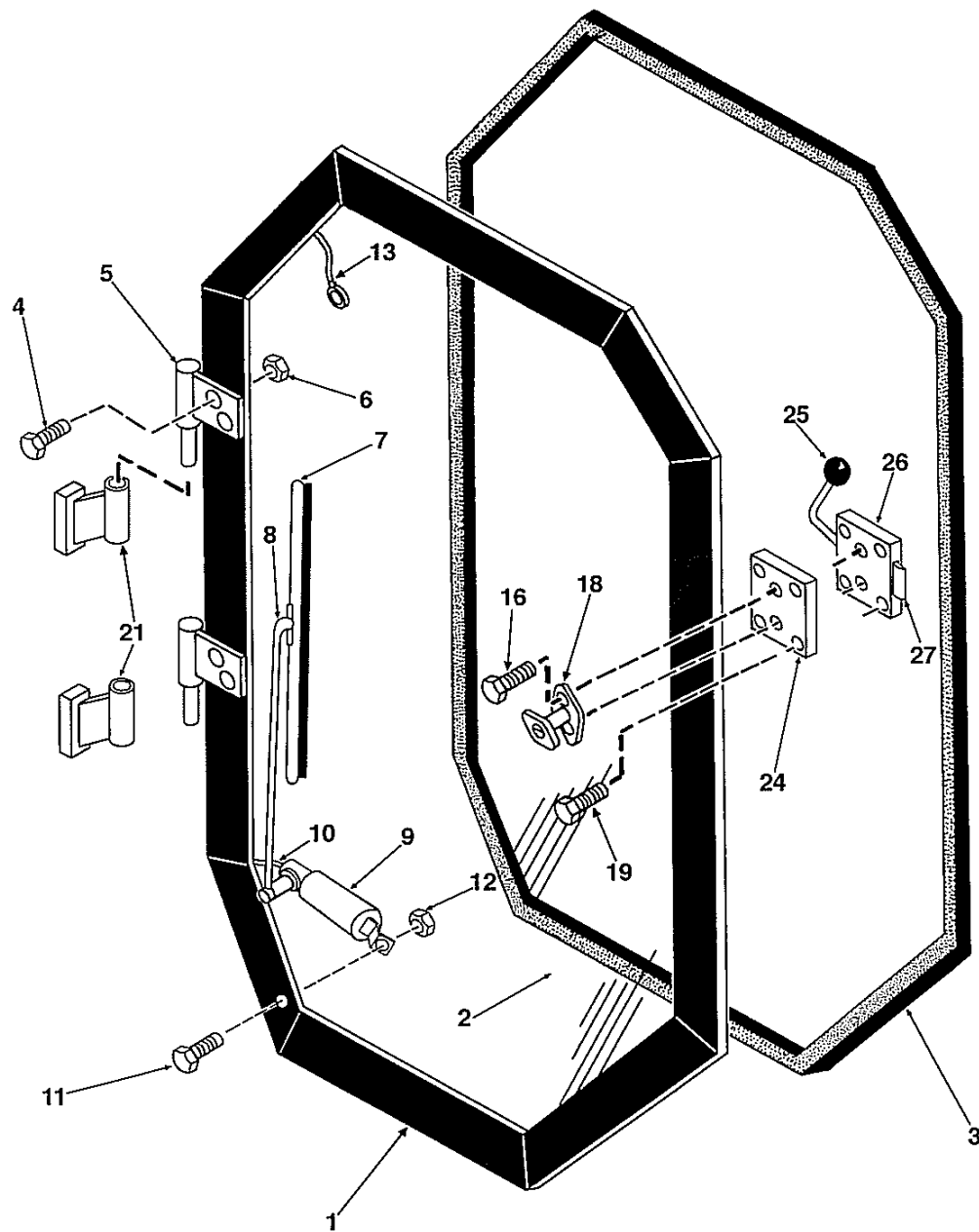












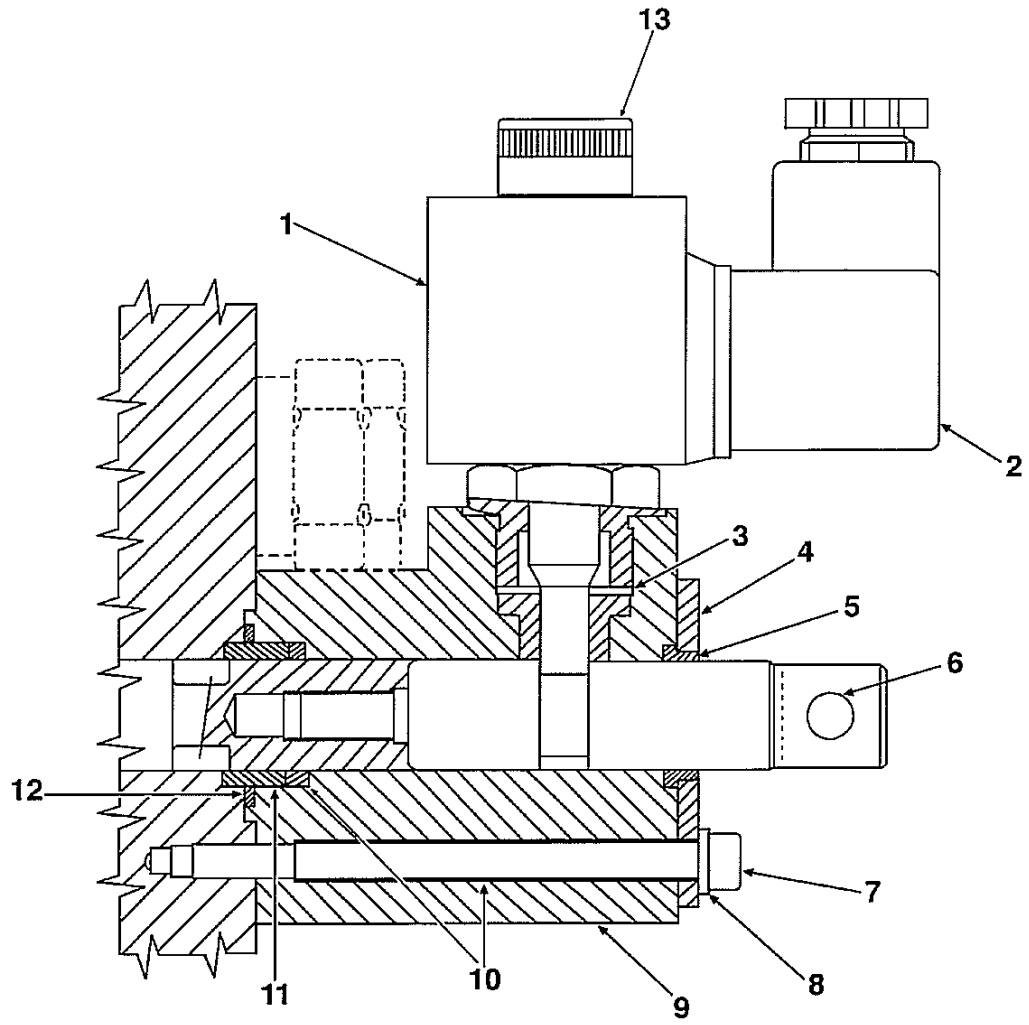














# NUMERICAL INDEX

PART NO.	SECTION	PART NO.	SECTION	PART NO.	SECTION
417	1.2	3667	3.1	14917	7.3
526	1.4	4539	1.1	14959	5.2, 5.2.1
698	4.1	4842	1.2	14961	5.2, 5.2.1
765	8.6, 8.10, 8.11	5170	1.2, 2.4, 3.3, 8.9	15052	7.3
792	7.2	5273	8.6	15140	7.3
1023	1.4.2	5405	2.2	15141	7.3
1149	3.2	5803	2.1, 2.4, 3.3, 8.9	15149	8.11
1190	1.3, 1.4, 7.2, 8.5	5815	1.4.1	15750	1.4.2, 8.9
1191	1.1, 1.2, 4.1	5816	1.4.1	15756	8.9
1193	1.4	5832	1.4.1, 3.1, 8.7	15880	2.1, 2.1.1, 8.2, 8.3
1194	2.3, 3.3	5842	1.1	15885	8.9
1248	1.4.2	5968	3.1	15931	1.4.2
1350	1.5, 8.6	6081	8.11	16019	8.12
1458	1.1	6086	1.4, 1.5	16138	7.1
1546	1.3, 1.6	6089	1.1	16601	8.10, 8.11
1630	2.2	6262	7.1	16771	1.3, 1.4, 1.6, 7.1,
1631	3.3	6274	7.1		8.5, 8.11
1634	3.1	6356	1.5	16989	1.2
1642	1.3, 2.1, 2.1.1,	6448	3.3	17144	4.1
	8.2, 8.3	6522	6.1, 6.2, 8.6	17421	8.2, 8.3
1643	1.4, 1.6, 2.1, 2.1.1,	6608	4.4	17432	2.2, 8.2, 8.3
	2.3, 7.2, 8.2, 8.3	6645	1.2, 2.1, 2.1.1, 2.4,	17493	8.12
1650	1.2, 1.3, 1.5, 2.1, 2.4		3.3, 7.1, 8.2, 8.3, 8.9	17516	2.2, 3.3
	3.3, 7.1, 7.2, 8.6	6800	1.4.1, 8.7	17940	8.6
1651	1.1, 1.2, 1.4, 4.1,	6804	8.7	18318	1.1
	7.1, 7.2, 8.5	7019	1.4.1, 8.7	18468	7.2
1671	2.1, 2.1.1, 2.3,	7078	4.4	18478	7.2
	8.2, 8.3	7124	4.4	18481	7.2
1672	2.1, 3.3, 8.2, 8.3	7416	2.3	18574	7.2
1673	1.3, 2.1, 2.1.1,	7465	1.4, 2.1, 2.1.1, 3.3,	18683	6.1
	8.2, 8.3		8.2, 8.3	18724	6.2
1677	1.6	7667	4.4	18318	1.1
1678	1.2	7723	7.1	18478	7.2
1803	4.4	8104	5.1, 5.1.1	18572	7.2
1870	1.1, 1.4, 4.1,	8596	8.7	18574	7.2
	7.2, 8.11	8613	2.4	18724	6.2
1898	2.1, 2.1.1, 8.2, 8.3	8615	8.10, 8.11	19029	7.3
2010	1.5, , 4.8.1	8863	5.2, 5.2.1	19240	5.1, 5.1.1
2279	1.3, 2.1.1, 8.3, 8.6	8864	5.2, 5.2.1	19572	7.2
2338	1.3, 2.1.1, 8.3	8871	5.2, 5.2.1	19586	7.2
2580	1.4, 7.1	8872	5.2, 5.2.1	19605	6.1
2593	1.5	8873	5.2, 5.2.1	19813	3.2
2663	2.3, 8.9	9202	1.2	19949	1.1
3189	1.2, 2.1, 2.1.1,	10547	1.4.1	20182	4.4
	8.2, 8.3	11495	7.2	20194	4.2, 4.3
3238	1.2	12117	7.1	20235	1.4.2
3313	2.1, 2.1.1, 8.2, 8.3	14619	8.6	20860	1.4.2
3621	8.10, 8.11	14620	2.1, 2.1.1, 8.2, 8.3	20861	1.4.2
3622	8.10, 8.11	14797	1.1	20901	1.1, 1.4.2
3623	8.11	14860	2.1, 2.1.1, 8.2	21028	7.2
3625	8.11	14866	5.1, 5.1.1	21029	7.3
3627	8.10	14877	3.1	21146	7.1
3628	8.11	14898	4.1	21174	2.1, 2.1.1, 8.2, 8.3
3665	3.1	14916	2.1, 2.1.1, 8.2, 8.3	21293	7.1

# NUMERICAL INDEX

PART NO.	SECTION	PART NO.	SECTION	PART NO.	SECTION
21294	7.1	22968	7.1	28982	2.3
21295	7.1	23012	2.1,2.1.1,8.2,8.3	29065	2.1.1,8.3
21296	7.1	23096	2.3	29066	2.1.1,8.3
21297	7.1	23194	1.1	29349	2.1,2.1.1,8.2,8.3
21320	7.2	23256	3.2	29384	2.1,2.1.1,8.2,8.3
21324	4.1	23258	3.2	29478	4.4
21422	1.1	23335	5.1.1	29877	4.2,4.8
21558	7.2	23336	5.1	29929	4.8.1
21559	7.3	23355	4.3	29930	4.8.1
21677	1.1, 7.2	23356	4.3	29934	1.1
21679	1.1, 7.2	23371	2.3	29971	6.2
21701	4.1	23372	2.3	29987	4.8
21907	1.4	23385	1.3, 1.4.2	29988	4.8
22071	3.2, 5.3	23388	5.1, 5.1.1	29989	4.8
22072	5.3	23530	4.8, 4.8.1	29990	4.8
22073	5.3	23532	4.8.1	29991	4.8
22074	5.3	23539	4.8	30044	2.2
22075	3.2, 5.3	23579	1.4.1	30091	4.8.1
22087	5.3	23706	3.2	30235	1.6
22088	5.3	23707	3.2	30310	7.1
22089	5.3	23709	1.1	30323	4.4
22090	5.3	23710	1.1	30501	1.4,2.1,2.1.1
22105	5.3	23771	7.2	30549	4.1
22106	5.3	23861	1.1	30723	1.6
22107	5.3	23922	3.3	30730	1.6
22108	5.3	23994	5.1, 5.1.1	30731	1.6
22109	5.3	24129	1.5	30732	1.5
22110	5.3	24214	1.1	30733	1.6
22111	5.3	24264	1.1	30735	1.3
22112	5.3	24741	8.7	30737	1.6
22113	5.3	24780	7.2	30766	1.6
22114	5.3	24851	8.10, 8.11	30767	1.6
22115	5.3	24882	1.1	30950	5.2,5.2.1
22116	5.3	24942	3.2	31032	4.8.1
22117	5.3	24971	1.3	31033	4.8.1
22119	5.3	24998	8.7	31058	3.1
22120	5.3	25011	5.1	31147	8.12
22121	5.3	25116	1.4.1, 8.7	31154	8.12
22204	7.2	25445	1.4.2	31156	8.12
22302	3.2	25530	1.5	31166	8.12
22379	3.1	25532	1.5	31167	8.12
22381	1.1, 4.1	25589	2.2	31440	1.2
22448	3.1	25760	6.1	31441	1.2
22462	3.1	25811	1.3	31442	1.2
22463	3.1	26029	7.2	31488	1.2
22467	3.2	26069	7.2	31572	1.3
22652	1.3	26101	1.6	31654	2.3
22653	1.3	26188	1.4.1, 3.1	31744	1.4.2, 8.11
22661	1.3	26650	5.2, 5.2.1	31787	7.1
22665	1.3	26664	1.2	31788	7.1
22791	1.6	26665	1.2	32176	1.3
22950	3.2	26666	1.2	32187	1.3
22953	1.4.1	26859	7.2	32269	1.3
22960	3.2	28982	2.3	32275	1.3

# NUMERICAL INDEX

PART NO.	SECTION	PART NO.	SECTION	PART NO.	SECTION
32323	1.6	35774	7.2	38058	8.1
32328	1.6	35883	8.2,8.3	38059	8.1
32478	4.1	35884	2.2	38060	4.6,8.1
32495	4.3,4.8.1	36091	1.4.1,8.6	38061	8.1
32501	1.6	36093	1.4.1,8.6	38062	8.1
32523	1.3	36430	5.1.1	38063	8.1
32524	1.6	36618	1.4.1,8.6	38066	8.1
32600	8.9	36643	4.6	38067	8.1
32614	1.6	36644	4.6	38068	8.1
32615	1.6	36645	4.6	38099	1.3
32616	1.5	36646	4.6	38302	1.6,4.4
32629	8.9	36647	4.6	38304	8.11
32890	4.8.1	36648	4.6	38305	8.11
32891	4.8.1	36649	4.6	38306	8.11
32907	3.2	36650	4.6	38307	8.11
33149	7.2	36651	4.6	38343	3.3
33211	7.1	36653	4.6	38385	4.2,4.3,4.4,4.6
33525	1.6	36657	4.6	38393	5.1
33547	3.2	36659	4.6	38472	1.5, 4.4
33623	8.12	36660	8.1	38516	6.2
33625	8.12	36661	4.6	38517	2.3
33627	8.12	36733	4.1	38549	5.1, 5.1.1
33850	4.7	37164	8.9	38551	2.2, 8.2, 8.3
34181	5.3	37167	8.12	38552	2.4, 3.3
34182	5.3	37204	6.2	38554	7.1
34467	5.2, 5.2.1	37206	4.1, 6.2	38556	7.1
34468	5.2, 5.2.1	37209	4.1	38558	7.2
34469	5.2, 5.2.1	37220	7.1	38560	1.4.2
34470	5.2, 5.2.1	37222	7.1	38562	4.1, 4.2
34471	5.2, 5.2.1	37275	8.9	38563	4.3, 4.4
34472	5.2, 5.2.1	37285	8.4	38577	6.1
34473	5.2, 5.2.1	37426	1.4.1	38585	4.7
34474	5.2, 5.2.1	37595	4.6	38587	4.7
34475	5.2, 5.2.1	37596	8.9	38588	4.7
34476	5.2, 5.2.1	37597	8.9	38600	1.4
34478	5.2, 5.2.1	37601	8.12	38605	1.4.1
34816	1.6	37606	8.12	38611	4.6, 6.2
34903	4.1	37607	8.12	38614	4.6
34919	4.1	37653	4.6	38615	4.6
34986	5.2, 5.2.1	37673	4.1	38616	4.6
35243	4.7	37798	3.3	38617	4.6, 8.1
35266	3.1	37818	4.2	38618	4.6
35316	2.1, 2.1.1, 8.2, 8.3	37819	4.1, 4.2	38619	4.6
35388	4.4	37820	4.2	38620	4.6
35426	1.2	37821	4.1, 4.2	38621	4.6
35449	1.3,4.8	37822	4.3	38622	4.6
35451	4.8	37823	4.3	38623	4.6
35450	1.3	37824	4.4	38624	4.6
35487	1.4.1	37825	4.4	38671	7.2
35534	8.11	37850	2.1, 2.1.1, 8.2, 8.3	38708	4.7
35536	6.2	37980	7.2	38743	4.7
35568	7.2	37991	3.3	38752	8.5
35772	7.2	38056	8.1	38761	6.1
35773	7.2	38057	8.1	38768	4.1, 5.1.1

# NUMERICAL INDEX

PART NO.	SECTION	PART NO.	SECTION	PART NO.	SECTION
38769	6.1	39204	8.6,8.10,8.11	40331	4.1
38781	4.7	39206	8.6	40342	7.2
38796	1.5	39209	7.2	40422	3.3
38809	3.3	39533	8.11	40425	2.1,8.2
38810	3.3	39540	6.2	40426	2.1.1,8.3
38821	3.3	39546	1.5	40429	3.3
38834	2.4	39559	8.8	40434	3.3
38854	7.1	39560	8.8	40462	1.4
38855	6.2,7.1	39561	8.8	40477	1.4
38869	6.2	39562	8.8	40495	1.4
38871	6.2	39563	8.8	40498	1.4
38872	6.2	39564	8.8	40499	1.4
38931	6.2	39572	1.4.1	40536	1.4
39021	1.4.2	39667	6.2	40538	1.6
39041	4.1, 4.2	39684	7.2	40539	8.8
39042	4.3	39688	6.2	40540	8.8
39043	4.4	39706	6.2	40541	8.8
39092	8.4	39727	7.2	40542	8.8
39093	8.4	39728	7.2	40543	8.8
39094	8.4	39730	7.2	40544	8.8
39095	8.4	39736	7.1	40545	8.8
39096	8.4	39738	6.2	40546	8.8
39097	8.4	39836	7.2	40547	8.8
39098	8.4	39840	6.2	40548	8.8
39099	8.4	39850	4.6	40549	8.8
39100	8.4	39851	4.6	40550	8.8
39101	8.4	39852	4.6	40551	8.8
39102	8.4	39894	4.6	40553	2.4
39103	8.4	39911	4.6	40554	7.1
39104	8.4	39914	4.5	40561	6.2
39105	8.4	39918	4.5	40582	6.2
39106	8.4	39919	4.5	40583	6.2
39107	8.4	39920	4.5	40600	5.1
39121	6.1	39940	4.5	40669	1.1, 6.2
39122	6.1, 8.6, 8.11	39941	4.5	40692	8.5
39123	6.1, 8.10	39942	4.5	40737	1.4.2
39127	8.6	39943	4.5	40777	1.4.1
39128	8.1	39944	4.5	40918	8.5, 8.6
39129	8.1	39945	4.5	40921	1.1
39130	8.1	39946	4.5	40922	1.1
39131	8.1	39972	6.1	40997	1.6
39132	8.1	39980	4.8	40998	1.6
39133	8.1	39982	4.8.1	40999	1.6
39134	8.1	39989	3.2	41041	2.4
39135	8.1	39990	5.2	41042	2.4
39136	8.1	39991	5.2	41189	2.2
39137	8.1	39992	5.2.1	41198	4.8
39138	8.1	39994	5.2, 5.2.1	41199	4.8
39139	8.1	39995	5.2	41200	4.8
39140	8.1	39999	5.2.1	41201	4.8
39152	5.2, 5.2.1	40053	5.2, 5.2.1	41206	4.8
39154	5.2, 5.2.1	40097	1.4	41207	4.8
39198	1.4.1	40102	3.1	41208	4.8.1
39200	8.10	40190	2.2	41209	4.8.1



# NUMERICAL INDEX

PART NO.	SECTION	PART NO.	SECTION	PART NO.	SECTION
41241	51.,5.1.1,5.3	960910	2.1.1		
41300	6.2	960911	2.1		
41379	8.4	960913	3.3		
41607	6.1	960921	2.1,2.1.1,8.2,8.3		
41608	6.1	960931	1.2		
953780	8.9	960932	1.4		
953820	1.1	960934	1.4		
954425	1.2	960935	1.4		
954621	3.2	960937	3.1		
954622	3.2	960938	3.1		
954623	3.2	960943	4.1,5.1.1		
954704	7.1	960944	5.1		
954714	1.3	960945	4.2		
954715	1.3	960946	4.2		
954716	1.3	960947	4.3,4.4		
954772	1.2	960948	4.3,4.4		
954785	3.2	960949	4.7		
954895	7.3	960950	4.7		
954958	4.3	960951	4.1,4.7		
955280	3.1	960952	4.7,5.2		
955281	3.1	960976	2.1.1		
955283	3.1	960977	2.1		
955685	8.7	960978	8.3		
955690	8.7	960979	8.2		
955963	8.7	960980	8.2,8.3		
955964	8.7	960997	3.2		
956137	2.1,2.1.1,8.2,8.3	961007	2.3		
958006	1.6	961058	8.5		
959073	2.1,2.1.1,8.2,8.3	961059	8.5		
959085	2.1,8.2	961178	1.2		
959272	1.2	961204	2.1		
959277	1.6	961205	2.1.1		
959849	3.2	961243	1.6		
960135	8.9	961253	1.6		
960139	8.9	961303	2.1,2.1.1		
960402	2.1,2.1.1,8.2,8.3	961390	2.4		
960437	3.1	961504	6.1		
960497	2.4	961564	4.1		
960498	2.4	961565	4.1		
960646	7.2				
960680	1.4, 6.2				
960681	1.4				
960719	1.4.2				
960751	2.3				
960774	7.2				
960775	7.2				
960805	2.2				
960806	2.2				
960807	2.2				
960859	7.1				
960874	2.2,2.4				
960878	2.1, 2.1.1, 8.2, 8.3				
960907	2.1.1, 8.3				
960908	2.1, 8.2				